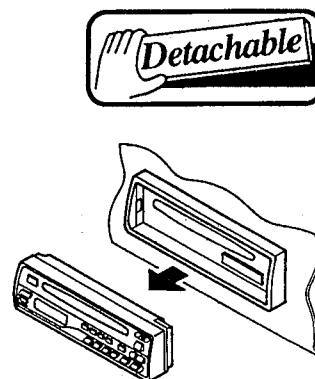
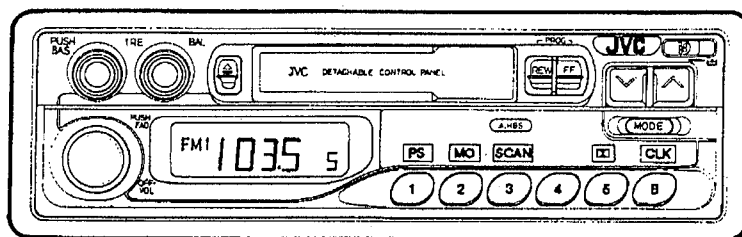


JVC

SERVICE MANUAL

CASSETTE CAR RECEIVER

KS-RT55 C/J



Area Suffix	
C	Canada
J	U.S.A.

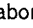
Contents

1. Main Features	2	8. Block Diagram	23
2. Specifications	2	9. Wiring Connections	25
3. Instructions(Extract)	3	10. Standard Schematic Diagram	26
4. Location of Main Parts	12	11. Location of P.C. Board Parts	28
5. Removal of Main Parts	13	12. Electrical Parts List	29
6. Main Adjustment	15	13. Illustration of Packing and Parts List	34
7. Analytic Drawing and Parts List	18	14. Accessories	35

1. Main Features

- Detachable Control Panel
- AM/FM Stereo PLL Synthesizer Tuner
- 20 – Station Preset Tuning (FM – 15, AM – 5)
- Preset Scan/Scan/Seek/Manual Tuning
- U – Turn Auto – Reverse Mechanism
- Dolby B Noise Reduction
- 4 – Channel Amplifier System
- Maximum Power Output of 8 watts per channel (Front)/25 watts per channel (Rear)
- Active Hyper – Bass Sound

- Fader Control
- Digital Clock Display
- Mono Button
- Line Output Terminal

*Dolby Noise Reduction manufactured under license from Dolby Laboratories Licensing Corporation. "Dolby" and the double – D symbol  are trademarks of Dolby Laboratories Licensing Corporation.

2. Specifications

AUDIO AMPLIFIER SECTION

Maximum Power Output: (Front) 8 W per channel
(Rear) 25 W per channel
Continuous Power Output (RMS): (Front) 3 W per channel into 4 Ω , 40 to 20,000 Hz at no more than 0.8% total harmonic distortion. (Rear) 12 W per channel into 4 Ω , 40 to 20,000 Hz at no more than 0.8% total harmonic distortion.
Load Impedance: 4 Ω (4 to 8 Ω allowance)
Tone Control Range
Bass: ± 10 dB at 100 Hz
Treble: ± 10 dB at 10 kHz
Frequency Response: 40 to 20,000 Hz
Signal-to-Noise Ratio: 70 dB
Line-Out Level/Impedance: 0.5 V/20 k Ω load (250 nWb/m)

RADIO SECTION

Frequency Range
FM: 87.5 to 107.9 MHz (C/J)
(with channel interval set to 200 kHz)
87.5 to 108.0 MHz (C/J)
(with channel interval set to 50 kHz)
87.5 to 108.0 MHz (A/U)
AM: 530 to 1,710 kHz (C/J)
(with channel interval set to 10 kHz)
522 to 1,620 kHz (C/J)
(with channel interval set to 9 kHz)
531 to 1,602 kHz (A/U)

[FM Tuner]

Usable Sensitivity: 12.1 dBf (1.1 μ V/75 Ω)
50 dB Quieting Sensitivity: 16.3 dBf (1.8 μ V/75 Ω)
Alternate Channel Selectivity: (400 kHz): 65 dB
Frequency Response: 40 to 15,000 Hz
Stereo Separation: 35 dB
Capture Ratio: 2.0 dB

[AM Tuner]

Sensitivity: 20 μ V
Selectivity: 35 dB

CASSETTE DECK SECTION

Wow & Flutter: 0.11% (WRMS)
Fast-Wind Time: 100 sec. (C-60)
Frequency Response: 50 to 15,000 Hz (± 3 dB)
Signal-to-Noise Ratio (Dolby NR-ON): 60 dB
(Dolby NR-OFF): 52 dB
Stereo Separation: 40 dB

GENERAL

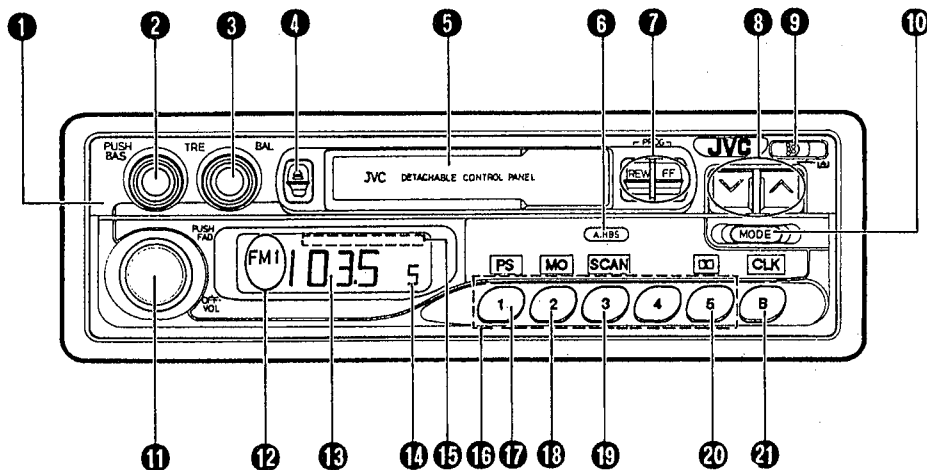
Power Requirement
Operating Voltage: DC 14.4 volts (11 to 16 volts allowance)
Grounding System: Negative ground
Dimensions (W x H x D) Installation Size: 178 x 50 x 151 mm (7-1/16" x 2" x 6")
Panel Size: 190 x 58 x 18 mm (7-1/2" x 2-5/16" x 3/4")
Gross Weight: 1.8 kg (4.0 lbs)

Design and specifications subject to change without notice.

If a kit is necessary for your car, consult your telephone directory for the nearest car audio speciality shop.

3. Instructions (Extract)

LOCATION OF CONTROLS



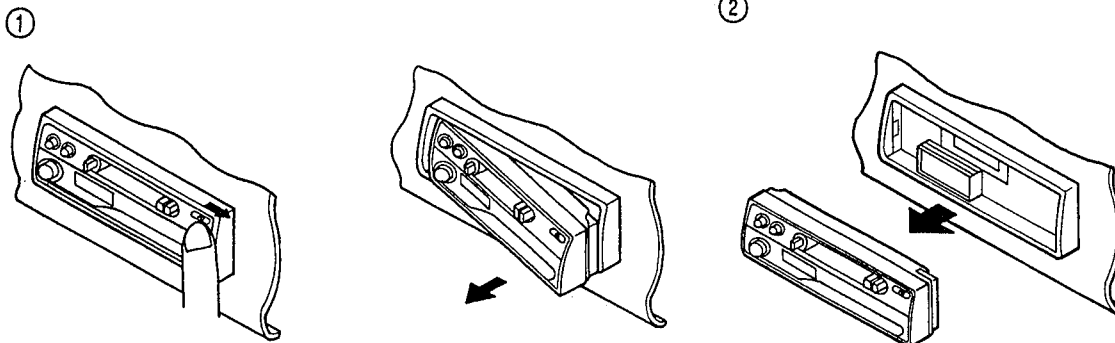
- | | |
|---|---|
| <ul style="list-style-type: none"> ① Control panel ② Treble (TRE)/Push bass (PUSH BAS) Control ③ Balance (BAL) Control ④ Eject (▲) button ⑤ Cassette loading slot ⑥ Active Hyper-Bass Sound (A.HBS) button ⑦ Program (PROG)/REW, FF buttons ⑧ Tuning/Hour/Minute Adjustment
Down (▼) frequency/Hour adjustment
Up (▲) frequency/Minute adjustment | <ul style="list-style-type: none"> ⑨ Control Panel Release (▲) switch ⑩ MODE button ⑪ Power ON-OFF/Volume (VOL)/Push fader (PUSH FAD) controls ⑫ Band indicator (AM-FM1-FM2-FM3) ⑬ Radio Frequency/Time display
TAPE mode display ⑭ Preset Station display ⑮ Indicators
Dolby B (□□) NR
Mono (MO)
ST (FM stereo)
Tape direction (◀▶) ⑯ Preset Station buttons (No.1 to No.5) ⑰ Dolby B NR (□□) button ⑱ Band (B) button |
|---|---|

Active Hyper-Bass Sound Button

Press the A.HBS button to listen to hyper-bass sound. (The A.HBS button lights red.)

How To Detach The Control Panel.

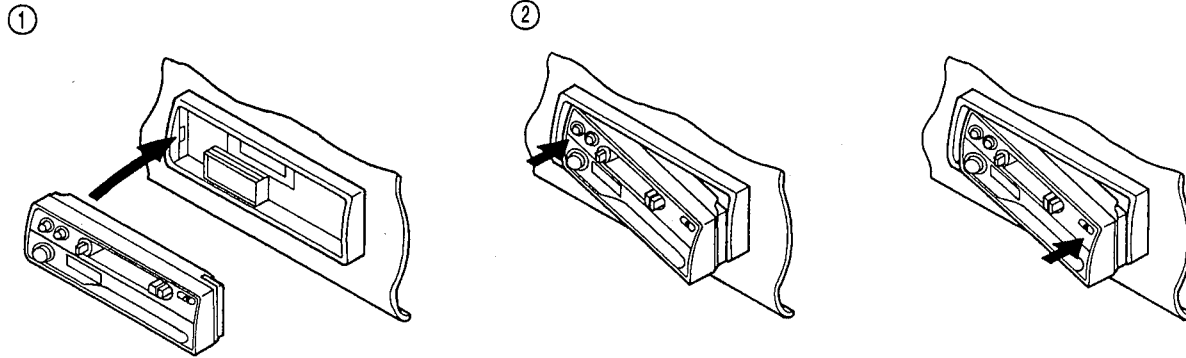
- ① Slide the Control Panel Release (▲) switch in the direction of the arrow to detach the control panel.
- ② Pull the control panel out of the main unit, as shown below.
 - Put the control panel in the provided case for protection.



- Press the following buttons after the MODE button has been pressed and its red indicator is lit. Five seconds after completing the operation, the MODE button's red indicator goes out.
- ⑰ Preset Scan (PS) button
- ⑱ MONO (MO) button
- ⑲ Scan (SCAN) button
- ⑳ Clock (CLK) button

How To Attach The Control Panel

- ① Align the left side of the control panel with the left side of the holder.
- ② Press the left side of the control panel first, then the right side to set it correctly.

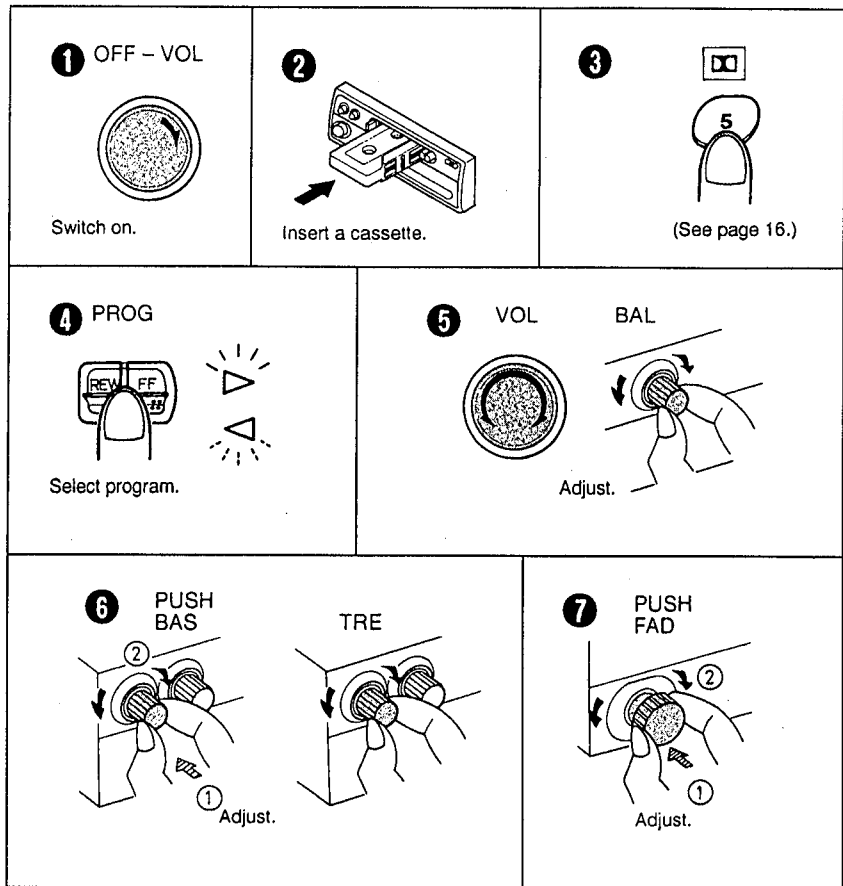


Note:

- Be careful not to damage the connector terminals when attaching/detaching the control panel or while the control panel is removed.

TAPE OPERATION

Operate in the order shown.



• DOLBY B NR button

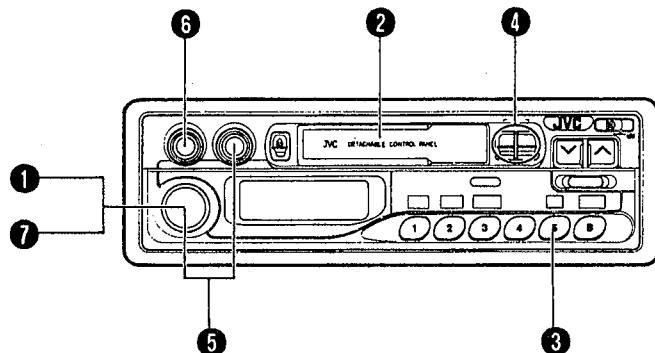
- Set the Dolby B NR (□□) button as required.
- ON — (□□) indicator lights.
- OFF — (□□) indicator goes out.

How To Fast-Forward And Rewind Tapes

Press the FF button to fast-forward the side being played; when the tape end is detected, the tape is reversed and playback starts from the beginning of the other side.
 Press the REW button to rewind the tape to its beginning, where playback restarts.
 Lightly press the PROG button to start playback from the current position during fast-forward or rewind.

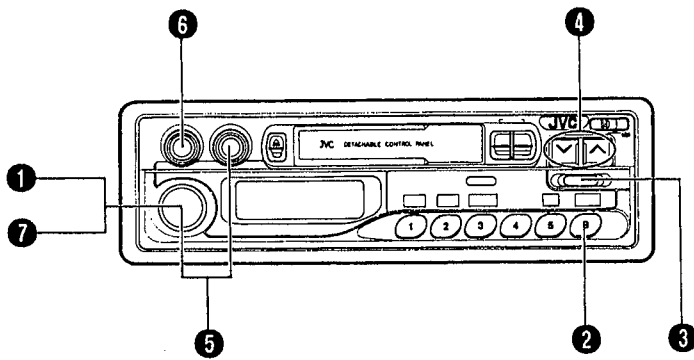
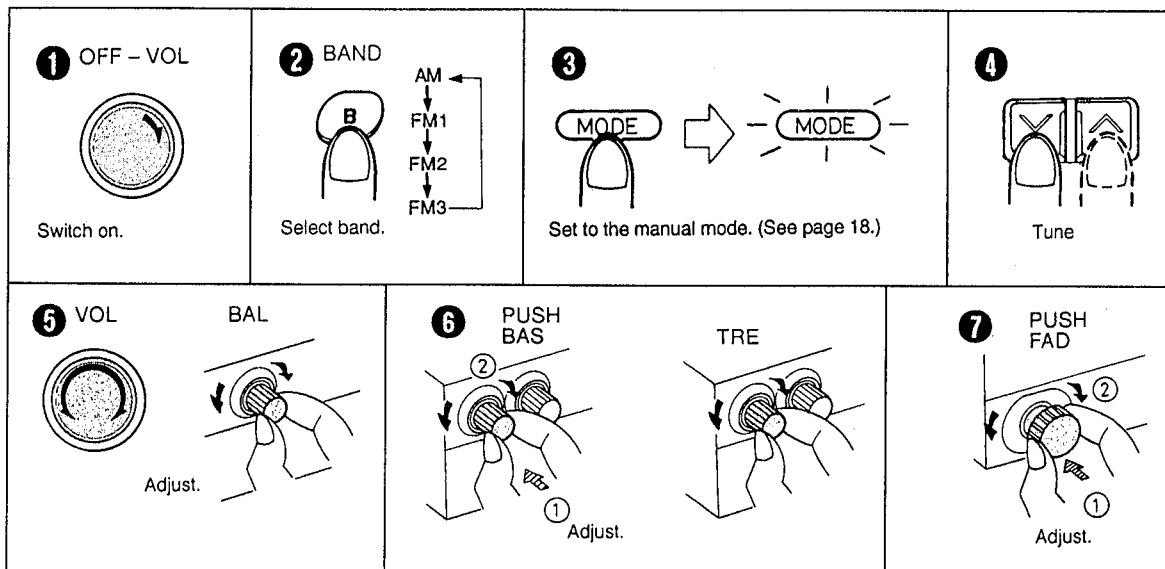
Auto-Reverse Mechanism

When the tape reaches its end, this mechanism automatically switches over to play back the other side. To listen to the other side of the tape during playback, press the PROG button. The change in direction can be checked in the Tape Direction indicator.



RADIO OPERATION

Operate in the order shown.



Manual Tuning

Set Manual mode using the MODE button. When the MODE button's light is red, the unit is in Manual mode. Then, by pressing the Tuning button, you can move up/down the frequency band. The band is scanned as long as either side of the button is pressed.

Frequency scan steps are as follows:
 FM – in 200 kHz/50 kHz units (C/J version)
 FM – in 100 kHz units (A/U version)
 AM – in 10 kHz/9 kHz units (C/J version)
 AM – in 9 kHz units (A/U version)

- When approx. 5 seconds have elapsed after completing manual tuning, the unit switches back to Seek mode and the MODE button's red indicator goes out.

Seek Tuning

The unit is in Seek mode when the MODE button's red indicator goes out. Then, by pressing the or button the unit tunes to the adjacent station with a higher or lower frequency.



Scan Button Tuning

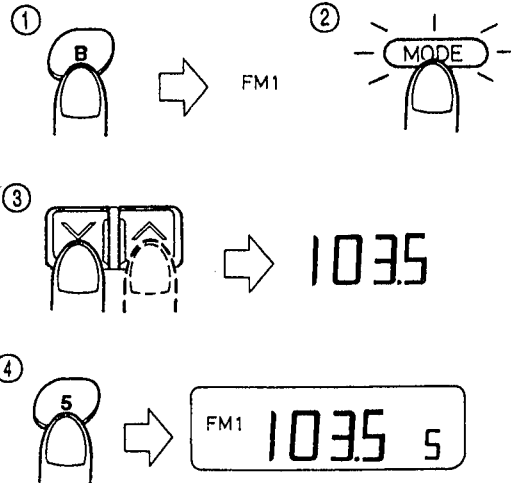
Use the SCAN button for automatic scanning of the FM and AM frequency bands. Press this button after the MODE button has been pressed and the MODE button's indicator is lit, then each station is monitored for approx. 5 seconds (the frequency blinks during this time). After 5 seconds have elapsed, the frequency advances to the next station which in turn is monitored for 5 seconds. To stop scanning, press the SCAN button again.

Preset Button Tuning

5 stations in each band (FM1, FM2, FM3 and AM) can be preset as follows:

● **Example (when presetting Preset Station button "5" to an FM station at 103.5 MHz)**

- ① Select the FM1 band using the Band (B) button.
- ② Set Manual mode.
- ③ Tune to the desired station.
- ④ Press Preset Station button "5" for more than 2 seconds. (When "5" blinks in the Preset Station display, the station is preset.)



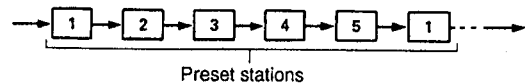
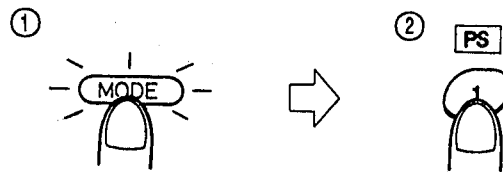
- Repeat the above procedure for the other 4 Preset Station buttons and other bands (FM2, FM3 and AM).

Notes:

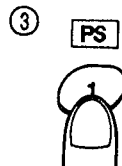
- A previously preset station is erased when a new station is stored in memory.
- The preset stations are erased when the power supply to the memory circuit is interrupted during battery replacement, etc. When this occurs, preset the stations again.

Preset Scan Button Tuning

This function makes it possible to automatically scan preset FM and AM stations.



- ① Press the MODE button (its red indicator lights).
- ② Press the PS button.
 - Scanning is performed in the order of the preset stations in each frequency band (FM1, FM2, FM3 and AM). Each preset station is heard for approx. 5 seconds.
- ③ When the required station is heard, press the PS button again.



Mono Button

When listening to FM, set the MO button to STEREO or MONO after the MODE button has been pressed and its red indicator is lit.

Note:

Set to MONO when a stereo FM broadcast is too noisy and cannot be heard satisfactorily.

To Change The Intervals Between Channels (C/J version only)

When this unit is shipped, the channel intervals are set to 10 kHz for AM and 200 kHz for FM. If the unit is used in an area other than North or South America, switch as follows:



- ① Switch the power ON.
- ② While pressing Preset Station button 1, press the Band (B) button for more than 3 seconds.

Performing this procedure sets the channel intervals to 9 kHz for AM and 50 kHz for FM.

To switch back to the original intervals, repeat the above operation.

DIGITAL CLOCK DISPLAY

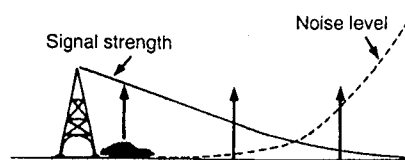
When the MODE button is pressed or a tape is loaded, the MODE button lights red. While lit, each time the CLK button is pressed, the time, tuner or tape information (when a tape is loaded) is displayed. When the tuner is operated in Time mode, the frequency is displayed, then, after a brief period will return to Time mode. When listening to a tape, "TAPE" or the current time is shown in the display.

How To Adjust The Time

Make sure the display is in Time mode with the MODE button lit in red. Then, while pressing the CLK button, press the Hour Adjustment button (∨) to adjust the "hours", and press the Minute Adjustment button (∧) to adjust the "minutes".

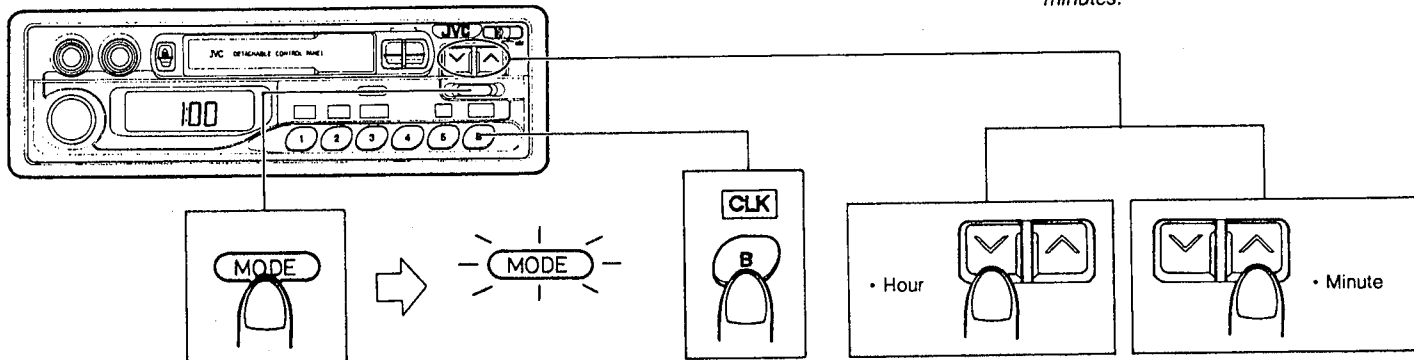
Automatic FM Noise Suppressor (AFNS)

This unit incorporates an automatic FM noise suppression circuit to ensure satisfactory reception of FM broadcasts when a vehicle is moving and signal strengths are continuously fluctuating.



	A	B	C
Signal strength	Strong	Not so strong	Weak
Auto blend	Stereo	Blend	Mono
Auto high-cut	-	➔	(Operates)

minutes.



INSTALLATION (IN-DASH MOUNTING)

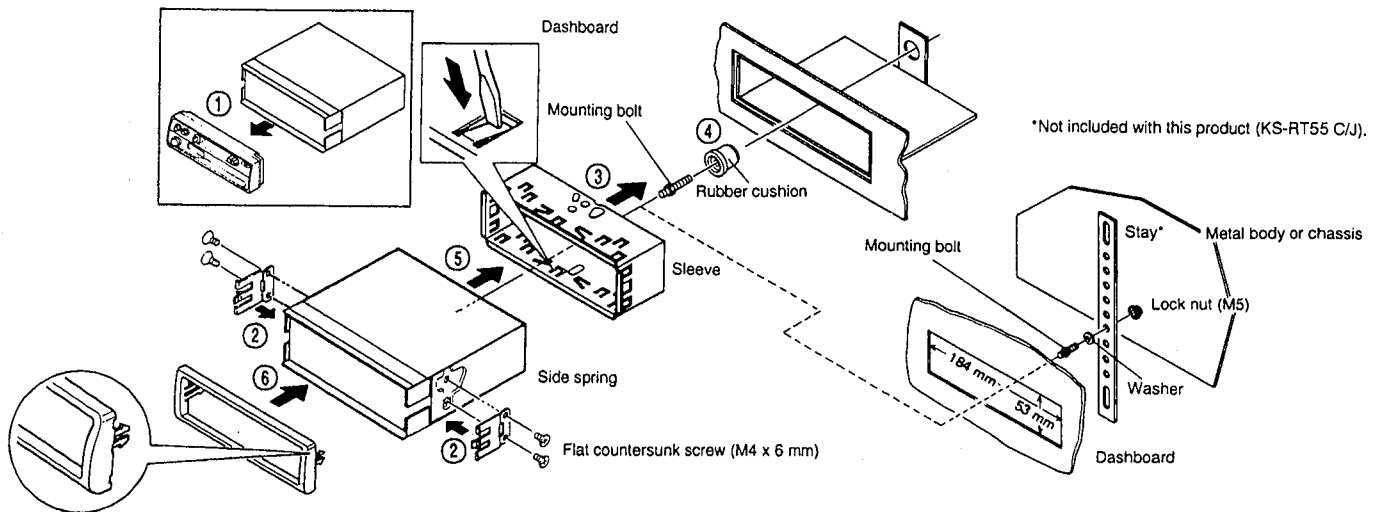
IMPORTANT

- Before using this unit for the first time, press the Eject button fully, to reset the mechanism.

- The following illustration shows a typical installation. However, you should make adjustments corresponding to your specific car. If you have any questions or require information regarding installation kits, consult your JVC car audio dealer or a company supplying kits.

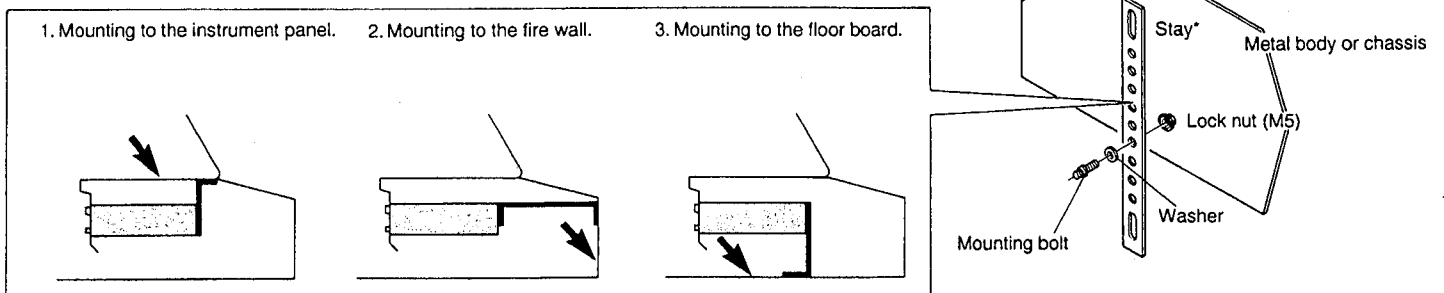
- Follow the numbers for mounting.

- 1 Slide the Control Panel Release (▲) switch to the right and remove the control panel.
- 2 Attach the 2 side springs.
- 3 Install the sleeve in the dashboard.
 - * After the sleeve is correctly installed in the dashboard, bend the appropriate tabs to hold the sleeve firmly in place, as shown.
- 4 Fix the mounting bolt to the rear of the unit's body and place the rubber cushion over the end of the bolt.
- 5 Slide the unit into the sleeve until they are locked together.
- 6 Attach the trim plate.



- Examples for use of the back stay:

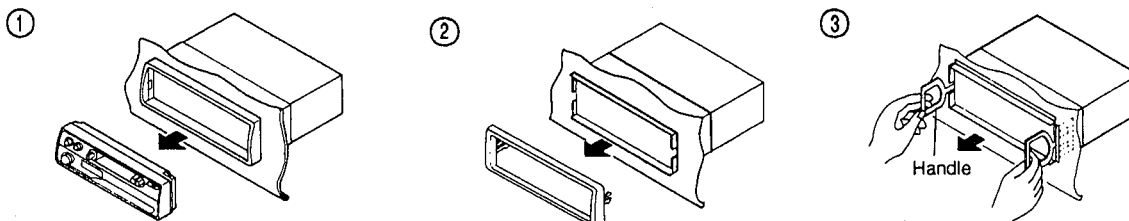
*Not included with this product (KS-RT55 C/J).



Removing the unit

- Before removing the unit, release the rear section.

- ① Remove the control panel.
- ② Remove the trim plate.
- ③ Insert the 2 handles between the side springs and the sleeve, as shown. Then, while gently pulling the handles away from each other, slide out the unit.

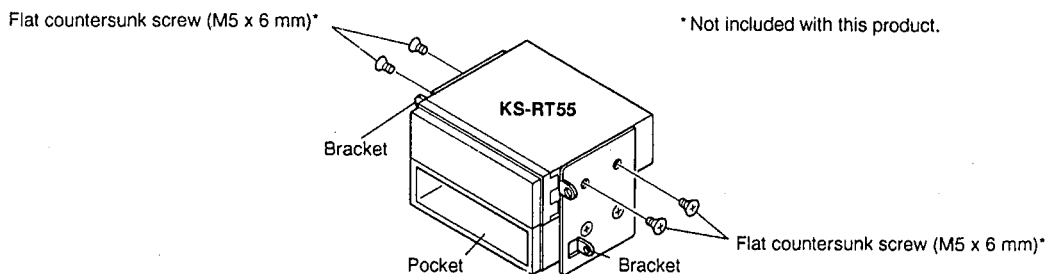


When installing the unit without using the sleeve.

In a Toyota for example, first remove the car radio and install the unit in its place.

Notes:

- When installing the unit on the mounting bracket, be sure to use the 6 mm-long screws. If longer screws are used, they could damage the unit.
- When the unit is installed on the mounting bracket, or the unit with the mounting bracket is installed to the car body, adjust the installation position so that the control panel can be attached/detached without difficulty.



ELECTRICAL CONNECTIONS

To prevent short circuits, we recommend that you disconnect the battery's negative terminal and make all electrical connections before installing the unit. If you are not sure how to install this unit correctly, have it installed by a qualified technician.

Note:

This unit is designed for a 12-volt DC negative ground. If your vehicle does not have this system, a voltage inverter is required, which can be purchased at JVC car audio dealers.

- Maximum input of the speakers should be more than 25 watts at the rear and 8 watts at the front, with an impedance of 4 to 8 ohms.

CAUTIONS:

As this unit uses BTL (Balanced Transformerless) amplifier circuitry (floating ground system), please comply with the following:

1. Do NOT connect the black-lined speaker leads to a common point.
2. Do NOT connect the speaker leads to the metal body or chassis.
3. Cover the terminals of the leads that are NOT used with insulating tape, to prevent them from shorting.

- Be sure to ground this unit to the car's chassis.

A. 4-Speaker Connections

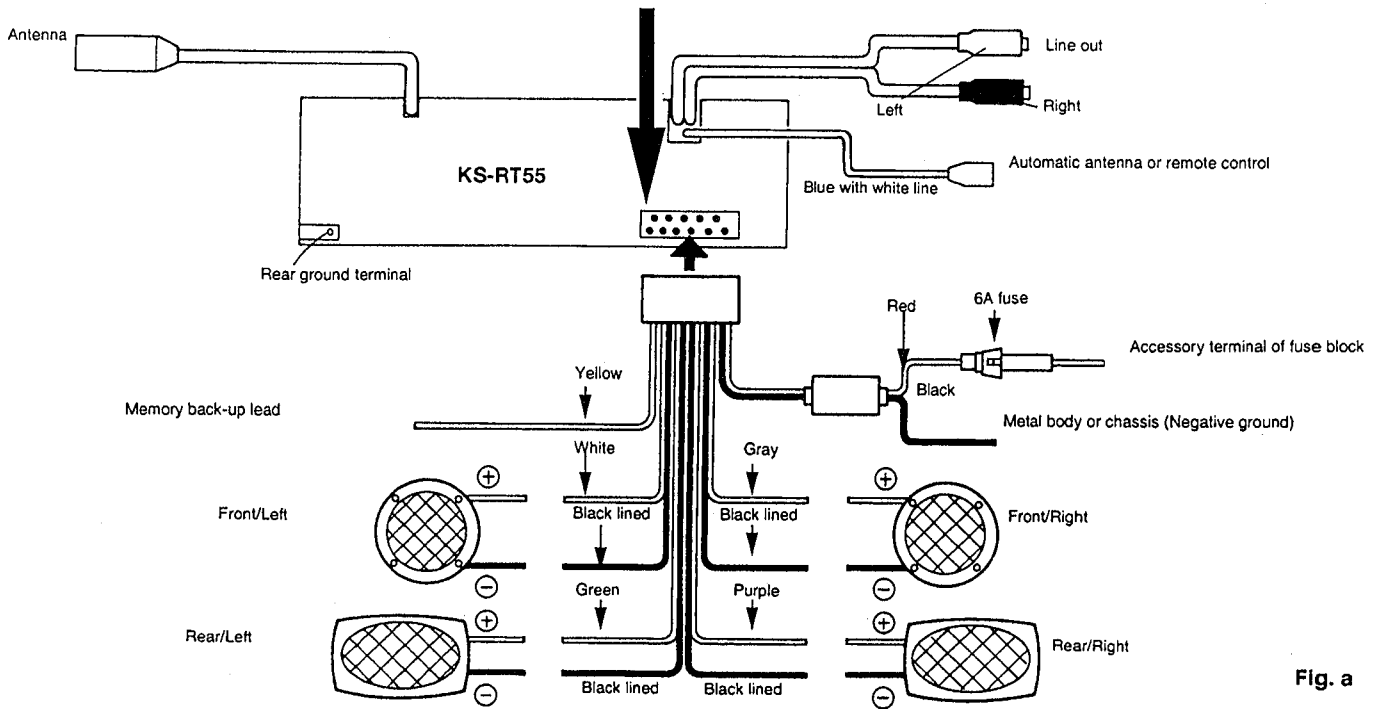
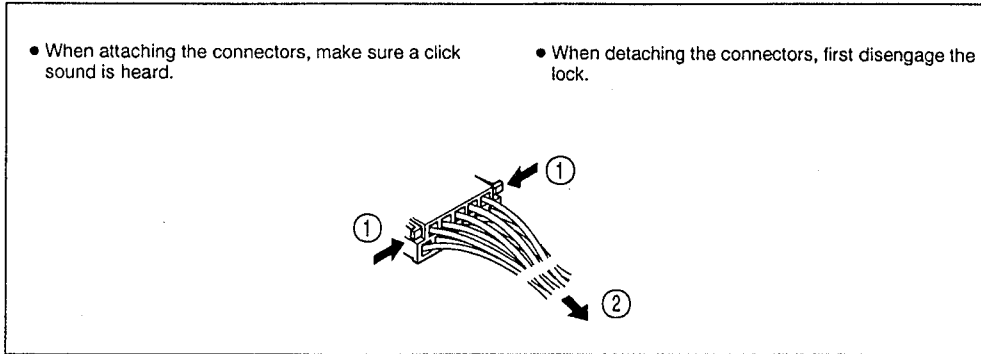


Fig. a

B. 4-Speaker connections when adding a power amplifier

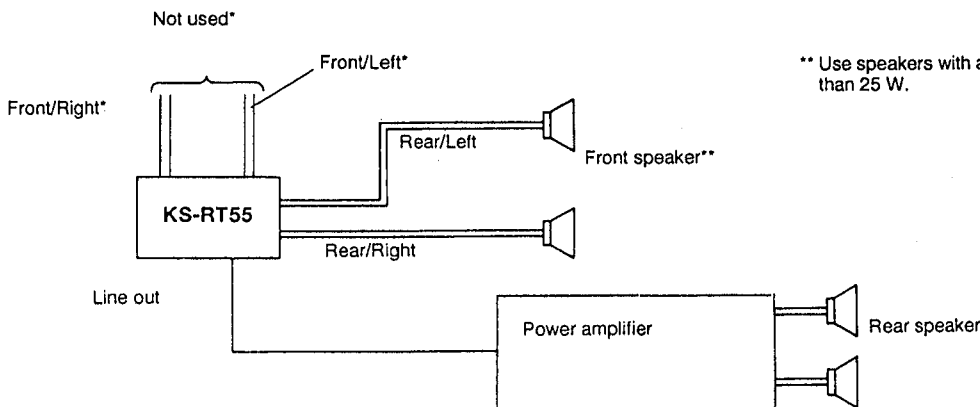


Fig. b

- When making 4-speaker connections using an external power amplifier, connect the front speakers to the rear speaker terminals (do not use the front speaker terminals); this enables use of the Fader control (see page 10).

C. Line Terminal Connections (Line Out)

Since this unit has line-out terminals, an amplifier and other equipment can be used to upgrade your car stereo system.

- With an amplifier, connect this unit's line-out terminals to the amplifier's line-in terminals.

D. Automatic Antenna Connections

To use the automatic antenna, connect its remote lead (blue with white lines) terminal. For details of installation, see the automatic antenna's Instruction Manual.

E. Memory Back-Up Lead

Connect this lead to a LIVE power source (supplied even when vehicle ignition is OFF).

F. Fader Control

- **When used in a 4-speaker system**
Use this control to balance the volume levels of the front and rear speakers.
Turn counterclockwise to decrease the volume level of the rear speakers, and clockwise to decrease that of the front speakers. The overall volume level can be adjusted with the volume knob.
- **4-Speaker connection system by adding a power amplifier**
Turn clockwise to decrease the volume level of the rear speakers (connected to external power amplifier), and counterclockwise to decrease that of the front speakers (connected directly to receiver).
- **When used in a 2-speaker system**
Set this control to the center position.

MAINTENANCE

• Cleaning The Head

After several hours of use, the playback sound may become muffled or wow and flutter may be noticeable. This is usually due to a deposit of oxide on the tape head, capstan and pinch roller. The easiest way to overcome this problem is to use a head-cleaning tape, which can be purchased from your JVC car audio dealer.

• Cleaning The Connector

If the control panel is frequently detached, a poor connection may occur with the control panel holder. To minimize this possibility, periodically wipe the connector with a cotton swab or cloth moistened with alcohol, being careful not to damage the connector terminals. Your unit requires very little attention, but you will be assured of top performance only if you follow the above notes.

Your unit requires very little attention, but you will be assured of top performance only if you follow the above notes.

TAPE CARE HINTS

It is very important to keep your tapes clean. Always return them to their storage boxes after playback.
Never store tapes in direct sunlight, high humidity or extremely hot temperatures.
Never play dirty or dusty tapes — they can damage the head.
Slack tape in a cassette can cause trouble by becoming entangled with the capstan or pinch roller.
This may also cause the auto-reverse mechanism to malfunction. Avoid this by tightening the tape, as shown.

Note:

Always remove cassettes from the loading slot when not listening to them, as the tape may become slack.

4. Location of Main Parts

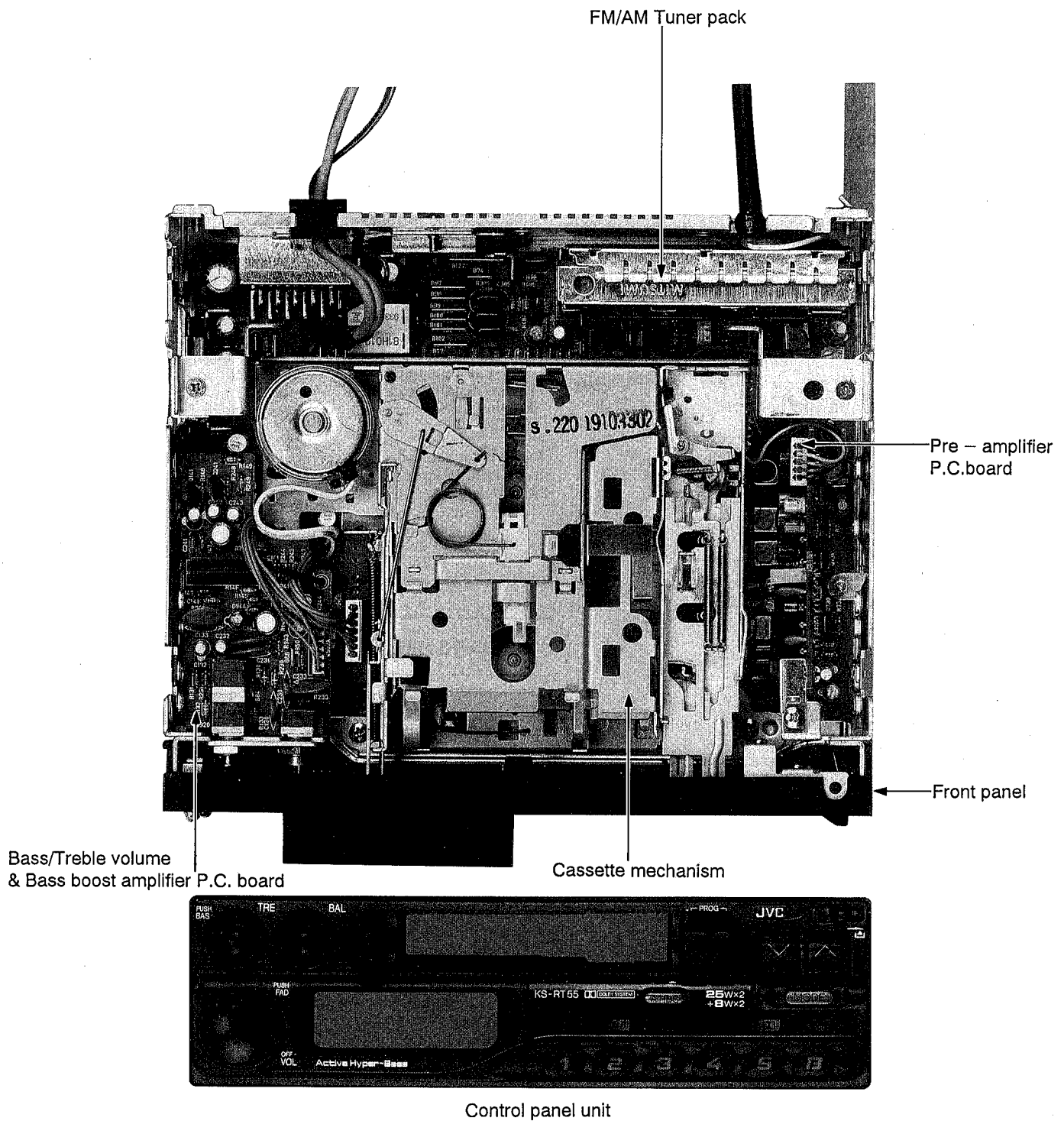


Fig. 4-1

5. Removal of Main Parts

■ Method of removing the top cover (Refer to Fig. 5-1)

1. From the back of the body, remove the two screws (1) retaining the top cover.
2. Insert a minus screw driver into the clearance between the body and top cover and disengage the two engagements (A and B) retaining the top cover.

■ Method of removing the bottom cover (Refer to Fig. 5-1)

1. From the back of the body, remove the one screw (2) retaining the bottom cover similarly according to the top cover removing method.
2. Insert a minus screw driver into the clearance between the body and bottom cover and disengage the two engagements (C and D) retaining bottom top cover.

■ Method of removing the front panel (Refer to Figs. 5-2 and 5-3)

1. Press the control panel release button and remove the control panel from the body.
2. Disengage the four engagements (a, b, c and d) retaining the front panel with a minus screw driver.
3. When the front panel has been removed, the connector CP905 on the relay P.C. board attached to the front panel and the connector CJ905 on the main amplifier P.C. board will be disconnected automatically.

■ Method of removing the cassette mechanism assembly (Refer to Fig. 5-4)

1. From the connector CP903 on the preamplifier P.C. board, remove the # 5 PIN connector outgoing from the head relay P.C. board.
2. From the connector on the cassette mechanism control P.C. board, remove the # 7 PIN connector outgoing from W901 on the main amplifier P.C. board.
3. Remove the four screws (3 × 2 and 4 × 2) retaining the cassette mechanism assembly.

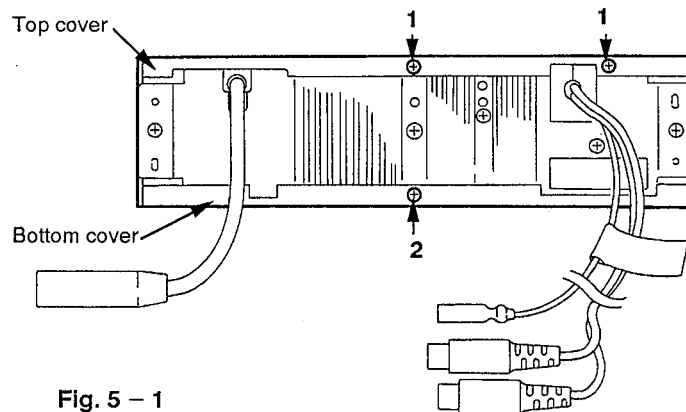


Fig. 5 - 1

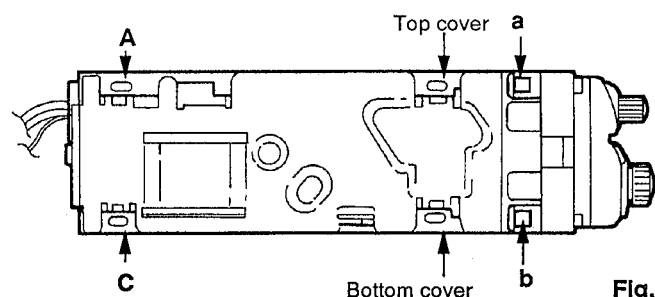


Fig. 5 - 2

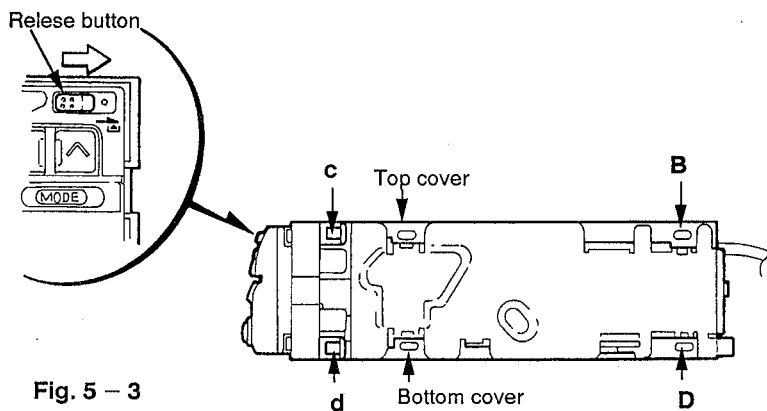


Fig. 5 - 3

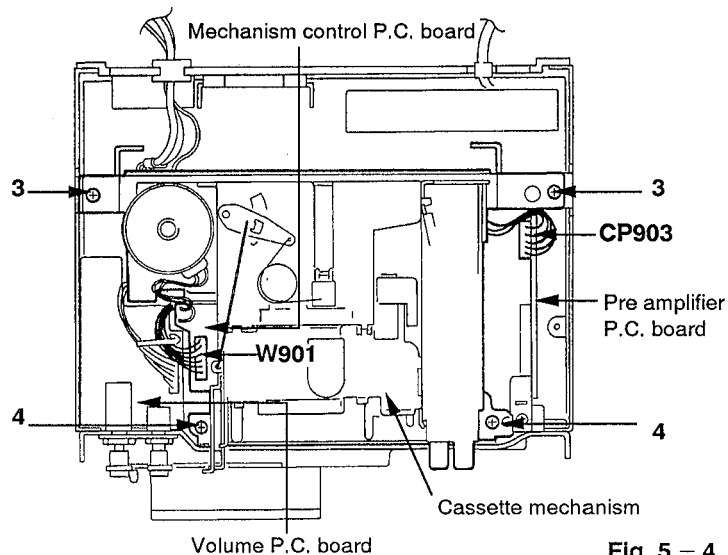


Fig. 5 - 4

■ **Method of removing the preamplifier P.C. board (Refer to Fig. 5-5)**

1. Remove the one screw (5) retaining the preamplifier P.C. board.
2. Disengage the connection between the connector CP901 on the preamplifier P.C. board and the connector CP906 on the main amplifier P.C. board.

■ **Method of removing the volume P.C. board (Refer to Fig. 5-5)**

1. Remove the two shaft knobs from the [BASS /TREBLE] volume shaft.
2. From the body, remove the two nuts retaining the [BASS/TREBLE/BALANCE] volume.

■ **Method of removing the FF/REW lever assembly (Refer to Figs. 5-6 and 5-7)**

1. Remove the cassette mechanism assembly (Refer to [Method of removing the cassette mechanism assembly]).
2. From the cassette mechanism assembly, remove the two screws (6) retaining the mechanism holder.
3. From the cassette mechanism body, remove the one screw (7) retaining the FF/REW lever assembly (Refer to Fig. 5-7).
4. Raise the LL/REW lever assembly in the direction of the arrow as indicated in Fig. 5-7.
5. Remove the tip of the FF/REW lever assembly from the notch hole on the chassis (Refer to Fig. 5-7).

■ **Method of removing the PLAY head (Refer to Figs. 5-7 and 5-8)**

1. Remove the top cover (Refer to [Method of removing the top cover]).
2. Remove the cassette mechanism assembly (Refer to [Method of removing the cassette mechanism assembly]).
3. Remove the FF/REW lever assembly (Refer to [Method of removing the FF/REW lever assembly]).
4. From the cassette mechanism assembly, remove the one screw (8) retaining the head relay P.C. board.
5. Remove the two screws (9) retaining the PLAY head. Meanwhile, be sure to adjust the head azimuth and height successively from A to D at the time of reassembly.

■ **Method of removing the pinch roller assembly (Refer to Fig. 5-8)**

1. Remove the top cover (Refer to [Method of removing the top cover]).
2. Remove the cassette mechanism assembly (Refer to [Method of removing the cassette mechanism assembly]).
3. Remove the FF/REW lever assembly (Refer to [Method of removing the FF/REW lever assembly]).
4. Remove the nylon washers retaining the pinch roller assemblies on the right and left sides).

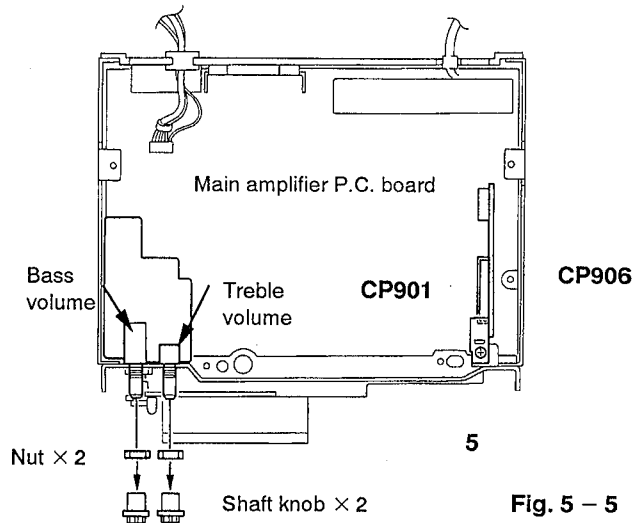


Fig. 5 - 5

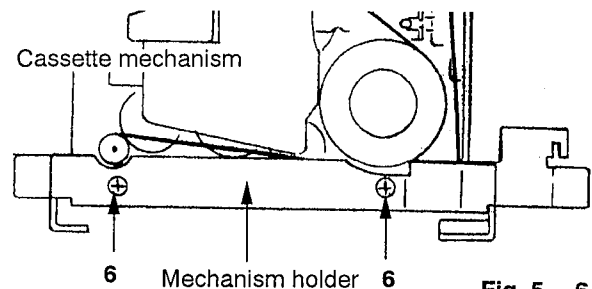


Fig. 5 - 6

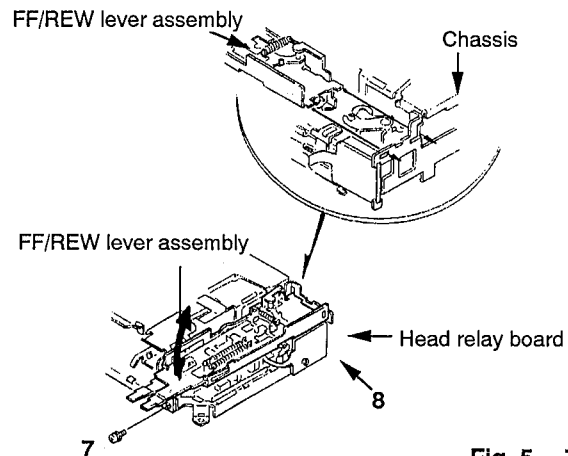


Fig. 5 - 7

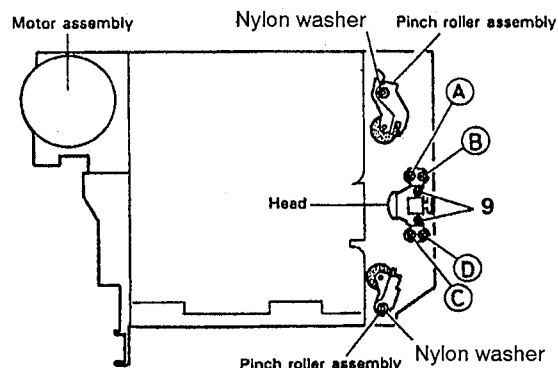


Fig.5 - 8

6. Main Adjustment

■ Test Instruments required for adjustment

1. Digital oscilloscope(100 MHz)
2. AM Standard signal generator
3. FM Standard signal generator
4. Stereo modulator
5. Electric voltmeter
6. Digital tester
7. Tracking offset meter
8. Pulse jitter meter
9. Test Tapes
 VTT721 For Output level measurement
 VTT724 For DOLBY level measurement
 VTT739 For playback frequency measurement
 VTT712 For wow flutter&tape speed measurement
 VTT704 For head azimuth measurement
10. Torque gauge.....Cassette type for CTG – N
 (mechanism adjustment)
 TW – 2111A(FWD PLAY)
 TW – 2121A(REV PLAY)

■ Measuring conditions (Amplifier section)

- Power supply voltage..... DC14.4V(10.5~16V)
 Load impedance..... 4 Ω (Speaker connection)
 4 Ω (SPEAKER OUT:2ch)

● Standard volume position

Balance and Bass &Treble volume to be centre. Output level to be adjusted to 1.4V with test tape VTT724.

■ Tuner section

Manual tuning up/down frequency

FM : 0.2MHz step

AM : 10kHz step

Setting of referance frequency of SSG

AM mode 400Hz, 30%modulation

FM mono mode 400Hz, 22.5kHz deviation

FM stereo mode1kHz, 67.5kHz dev.,
 pilot 7.5kHz dev.

Output level..... 0dB(1 μ , 50 Ω /open terminal)

Dummy load

Exclusive dummy for AM, FM should be used. Using FM dummy load, 6dB loss occurs between SSG output and antenna input.

Standard Input.....AM:74dB μ , FM:66dB μ

The 6dB loss need not to be considered since direct reading figures are applied in this working standard.

Initial preset stations

Band	1	2	3	4	5
FM1(MHz)	87.5	89.9	97.9	105.9	107.9
AM(kHz)	530	600	1000	1500	1710

■ Arrangement of adjusting position (Test point : refer to page 28.)

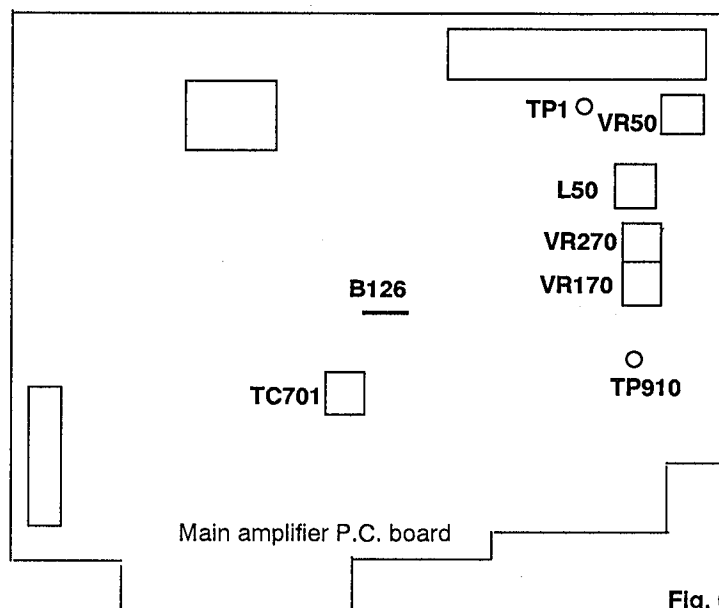
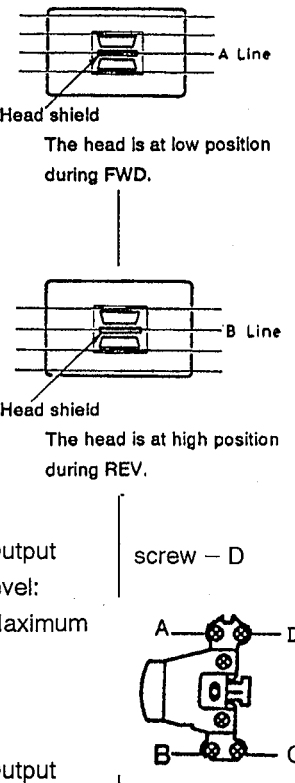


Fig. 6 – 1

■ Tape section adjustment

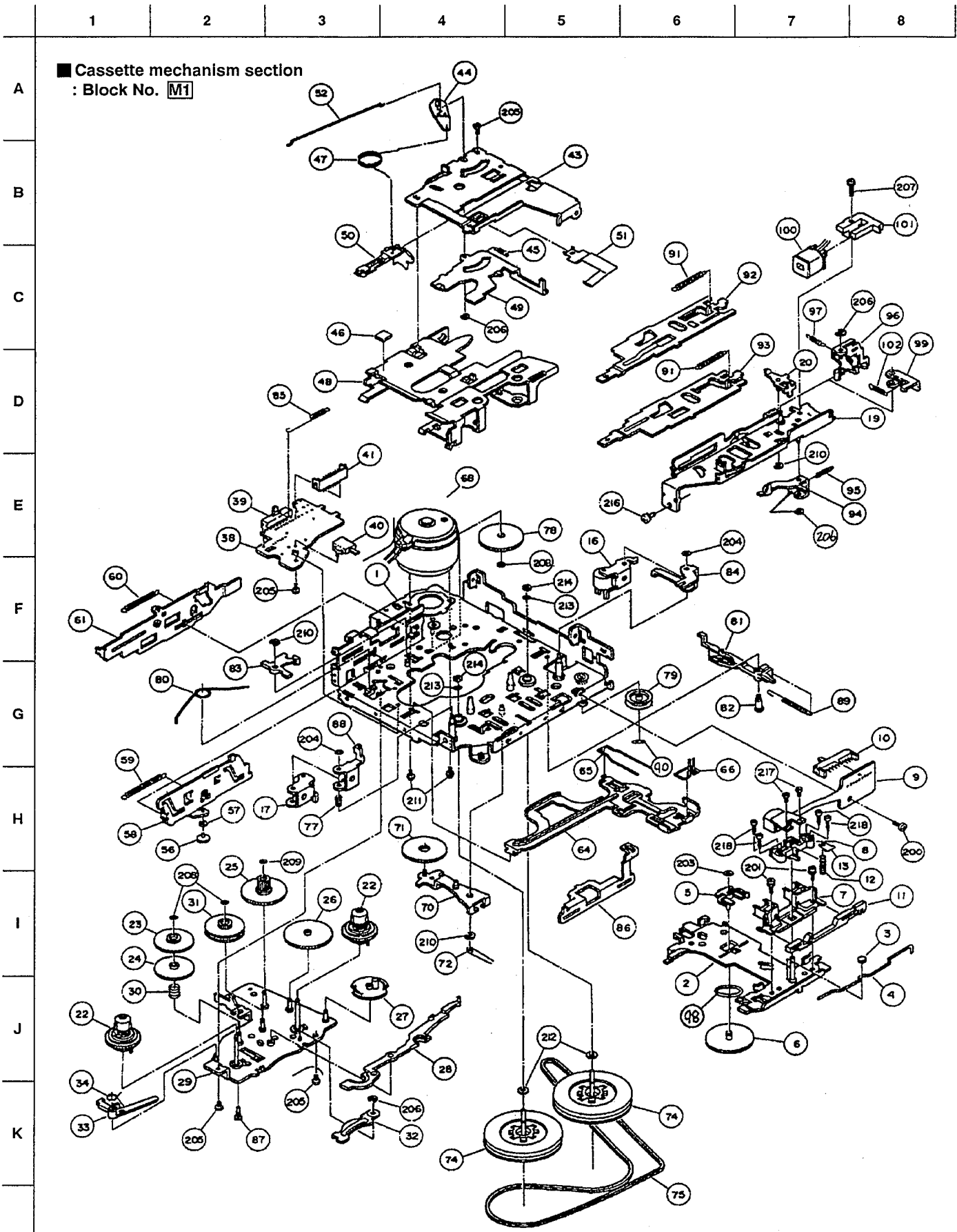
Item	Conditions	Adjustment and Confirmation methods	S.Values	Adjust
<p>1. Head Azimuth Adjustment</p>	<p>Test tape: SCC – 1659 VTT704</p>	<p>★ In case the head and its height have been changed, it will be necessary to adjust the height of the head.</p> <p>1. Adjustment of the height of head</p> <p>1)When the mirror tape SCC – 1659(2line tape) is travelling in the FWD. direction ,adjust the screws A and B so that the line A is located at the center of the shield plate between the head channels.</p> <p>2)When the mirror tape SCC – 1659(2line tape) is travelling in the REV.direction, adjust the screws C and D so that the line B is located at the center of the shield plate between the head channels.</p> <p>2. Head azimuth</p> <p>1)Adjust the screw B so that the output level becomes maximum and the phase difference becomes minimum when VTT704 is travelling in the FWD. direction.</p> <p>2)Adjust the screw C so that the output level become maximum the phase difarence become minimum when VTT704 is travelling in the REV. direction.</p> <p>3)By repeating the avove adjustments steps 1) and 2),make sure that the output level and phase difference as specifed respectively .</p> <p>4)There is no need to preform bonding after adjustment.</p>	<p>Head shield</p> <p>The head is at low position during FWD.</p> <p>Head shield</p> <p>The head is at high position during REV.</p> <p>Output level: Maximum</p> <p>Output level: Maximum</p>	<p>A Line</p> <p>B Line</p> <p>screw – D</p>  <p>screw – C</p>
<p>2. Tape speed and wow flutter confirmantion</p>	<p>Test tape:VTT712 (3kHz)</p>	<p>1.Check to see if the reading of the F.counter /wow flutter meter is within 3015~3045 (FWD/REV), and less than 0.35%(JIS RMS) .</p> <p>2. In case of out of specefication,adjust the motor with a built – in volume resistor.</p>	<p>Tape speed: 3015 ~3045Hz</p> <p>Wow flutter:less than0.35%</p>	<p>Built – in volume resistor</p>
<p>3.Playback frequency response confirmation</p>	<p>Test tape :VTT724 :VTT739</p>	<p>1. Play test tape VTT724, the set the volume position at 1.4V</p> <p>2. Play test tape VTT736 confirm</p> <p>1kHz/10kHz : 0 ± 3dB</p> <p>1kHz/63Hz : 0 ± 3dB</p> <p>3. When 10 kHz is out of specification, it will be necessary to read just the azimuth</p>	<p>Speaker out</p> <p>1kHz/10Hz :0 ± 3dB</p> <p>1kHz/63Hz :0 ± 3dB</p>	

Item	Conditions	Adjustment and Confirmation methods	S.Values	Adjust
4.Maximum output power confirmation	Test tape :VTT721 (1kHz) volume:maximum BASS/TRE:center	1. Confirm both the front and rear output be more than 4.9V. 2. Confirm that consumption current at above condition to be less than 5A. 3. Sound leakage should not occur at volume minimum. 4. Oscillation should not occur at BASS/TRE at minimum.	Output level:more than 6W(4.9V) Consumption current :less than 5A	
5. DOLBY level adjustment	• Test tape : VTT724(1kHz)	1.Playback test tape VTT724. 2. Adjust VR170 and VR270 so that output level become $31.8 \text{ mV} \pm 0.5\text{dB}$.	Output level : $31.8\text{mV} \pm 0.5\text{dB}$	VR170, VR270
6.BASS/ TREBLE checking	FM 97.9 MHz, 66 dB μ , 22.5kHz dev. with center click, preemphasis 75 μ s.	Confirm that both BASS/TRE are within a variable range from $\pm 7 \text{ dB}$ to 13 dB.	100 Hz : $\pm 7 \text{ dB}$ ~13 dB (variable) 10 kHz : $\pm 7 \text{ dB}$ ~13 dB (variable)	

■ Tuner section adjustment

Item	Conditions	Adjustment and Confirmation methods	S.Values	Adjust
Clock frequency adjustment	Test point : B126 Frequency counter : AM1710kHz	When LCD indicates AM1710kHz, adjust TC701 so that the B126 reading becomes $2160000\text{Hz} \pm 5 \text{ Hz}$.	$2160000\text{Hz} \pm 5\text{Hz}$	TC701
FM 0volt adjustment	Test point : TP1 SSG: 97.9MHz, non modulation 66dB	Adjust L50 so that DC level 0 V can be obtained at TP1.	$0 \pm 10\text{mV}$	L50
Blend adjustment	Test point : Speaker out SSG : 97.9MHz, Stereo, modulate only Rch 52dB	Adjust VR50 so that the deviation between Lch and Rch should be 20dB when receiving signal.	Deviation : 20 dB	VR50

7. Analytic Drawing and Parts List



■ Cassette mechanism assembly parts list

BLOCK NO. M1MM

△ REF.	PARTS NO.	PARTS NAME	REMARKS	QTY	SUFFIX	CLR
1	194001519T	CHASSIS ASS'Y		1		
2	194016501T	HEAD PANEL ASY		1		
3	19400303T	SP ROLLER		1		
4	19400304T	P.R.SPRING		1		
5	19400305T	P.GEAR METAL		1		
6	19400306T	P.GEAR		1		
7	19400312T	TAPE GUIDE U		1		
8	19400327T	HEAD HOLDER B		1		
9	62011702T	HEAD	P-7542-BB0571	1		
10	64020207T	SLIDE SWITCH	SSSSA3002A	1		
11	19400328T	SHIFT PLATE B		1		
12	19400315T	H.G SPRING		1		
13	9F2635010T	FASTEN WASHER		1		
16	194004301T	P.ROLL.ARM(F)AS		1		
17	194004302T	P.ROLL.ARM(R)AS		1		
19	194005503T	F.R.BKT(M)ASS'Y		1		
20	194005504T	SEESAW P(M)ASY.		1		
22	194006302T	T.REEL ASS'Y		2		
23	19400612T	P.GEAR (R)		1		
24	19400613T	F.GEAR (R)		1		
25	19400615T	P.D.GEAR		1		
26	19400616T	E.D.GEAR		1		
27	19400617AT	REVERSE GEAR(M)		1		
28	19400648T	E.D.PLATE B		1		
29	194002501T	M.G.P.SEMI-ASY.		1		
30	19400635T	TN SPRING		1		
31	194006312T	P.CLUTCH ASS'Y		1		
32	194014129T	LIFT UP PLATE		1		
33	19401464T	ANTI-REV ARM		1		
34	19401460T	TRI ARM SPRING		1		
38	19400704T	SW SUBSTRATE		1		
39	64020206T	SLIDE SWITCH	SSSSA2001A	1		
40	64020405T	PUSH SWITCH	SPVC11001A	1		
41	68140245T	CONNECTOR	53253-0720	1		
43	19400801T	CASE LIFTER		1		
44	184008503T	P.E PLATE ASS'Y		1		
45	18400820T	SPRING		1		
46	18400875T	CUSSHION RUBBER		1		
47	19400813T	REVERSE SP.C		1		
48	19401410T	CASSETTE CASE M		1		
49	19400804T	C.D PLATE B		1		
50	19400810T	PACK SLIDER		1		
51	19400806T	PACK PRESS.SP.		1		
52	18400823T	P.E SPRING		1		
56	19400901T	H.P.ROLLER(A)		1		
57	19400902T	H.P.ROLLER(B)		1		
58	19400903T	C.H.PUSH PLAT.M		1		
59	19400905T	C.H.SPRING		1		
60	19400906T	PUSH LEVER SP.		1		
61	19400907T	PUSH LEVER M		1		
64	19401001T	MAIN PLATE		1		
65	19401002T	M.S.SPRING		1		
66	19401007T	H.S.SPRING		1		
68	194011310T	MOTOR ASS'Y	MCI-5U3LCKA	1		

BLOCK NO.

△ REF.	PARTS NO.	PARTS NAME	REMARKS	QTY	SUFFIX	CLR
70	194012504T	FR W.PLT.SEM.AS		1		
71	19401703T	F.GEAR		1		
72	19401704T	FR SPRING M		1		
74	194013303T	F.L.CAPS.ASS'Y		2		
75	19401417T	MAIN BELT		1		
77	18400437T	P.P SPRING		1		
78	194014123T	MAIN GEAR M		1		
79	194014115T	MIDDLE PULLEY		1		
80	19401403T	HEAD PANEL SP.M		1		
81	19401405T	TRIGGER ARM(C)		1		
82	19401406T	COLLAR SCREW(T)		1		
83	19401408T	H.P.PUSH ARM		1		
84	19401409T	SEESAW WRK.PLT.		1		
85	19401412T	POWER SW.SPRING		1		
86	194014127T	FR SLIDE PLT.M		1		
87	19401415T	COLLAR SCREW(P)		1		
88	19401416T	H.P.RETURN ARM		1		
89	19401407T	T.A.SPING(C)		1		
90	9W0225010T	P.WASHER CUT		1		
91	19401589T	FR LEVER SPRING		2		
92	19401590T	FF LEVER		1		
93	19401591T	REW LEVER		1		
94	19401503T	P.C.PLATE		1		
95	19401504T	P.C.SPRING		1		
96	19401505T	ROCK PLATE (M)		1		
97	19401506T	ROCK PLATE SP.M		1		
98	9W0540020T	HL WASHER	10 X 14 X 0.4	1		
200	9P1220051T	S TAPPING SCREW	M2 X 5	1		
201	9P0220051T	TAMS SCREW	M2 X 5	2		
203	9W0640070T	HL WASHER CUT	2.1 X 4 X 0.4	1		
204	9W0630060T	HL WASHER CUT	1.6 X 3.8 X 0.3	2		
205	9C0420303T	S TAPPING SCREW	FOR CAMERA M2X3	4		
206	9E0100152T	E RING	S1.5	4		
208	9W0625030T	HL WASHER CUT	1.2 X 3 X 0.25	3		
209	9W0630050T	HL WASHER CUT	1.6 X 3.4 X 0.3	1		
210	9E0100202T	E RING	S2.0	3		
211	9P0220031T	TAMS SCREW	M2 X 3	2		
212	9W0513060T	HL WASHER	2.1 X 5 X 0.13	2		
213	9W0520010T	HL WASHER CUT	1.85 X 3.2 X 0.	2		
214	9W0650030T	HL WASHER CUT	1.5 X 3.2 X 0.5	2		
216	9P0226041T	TAMS SCREW	M2.6 X 4	1		
217	9F2720401T	FIX SCREW	FOR HEAD	2		
218	9F2220071T	ADJUST SCREW		4		

1

2

3

4

5

■ Enclosure Assembly Part: Block No. **M** **2**

A

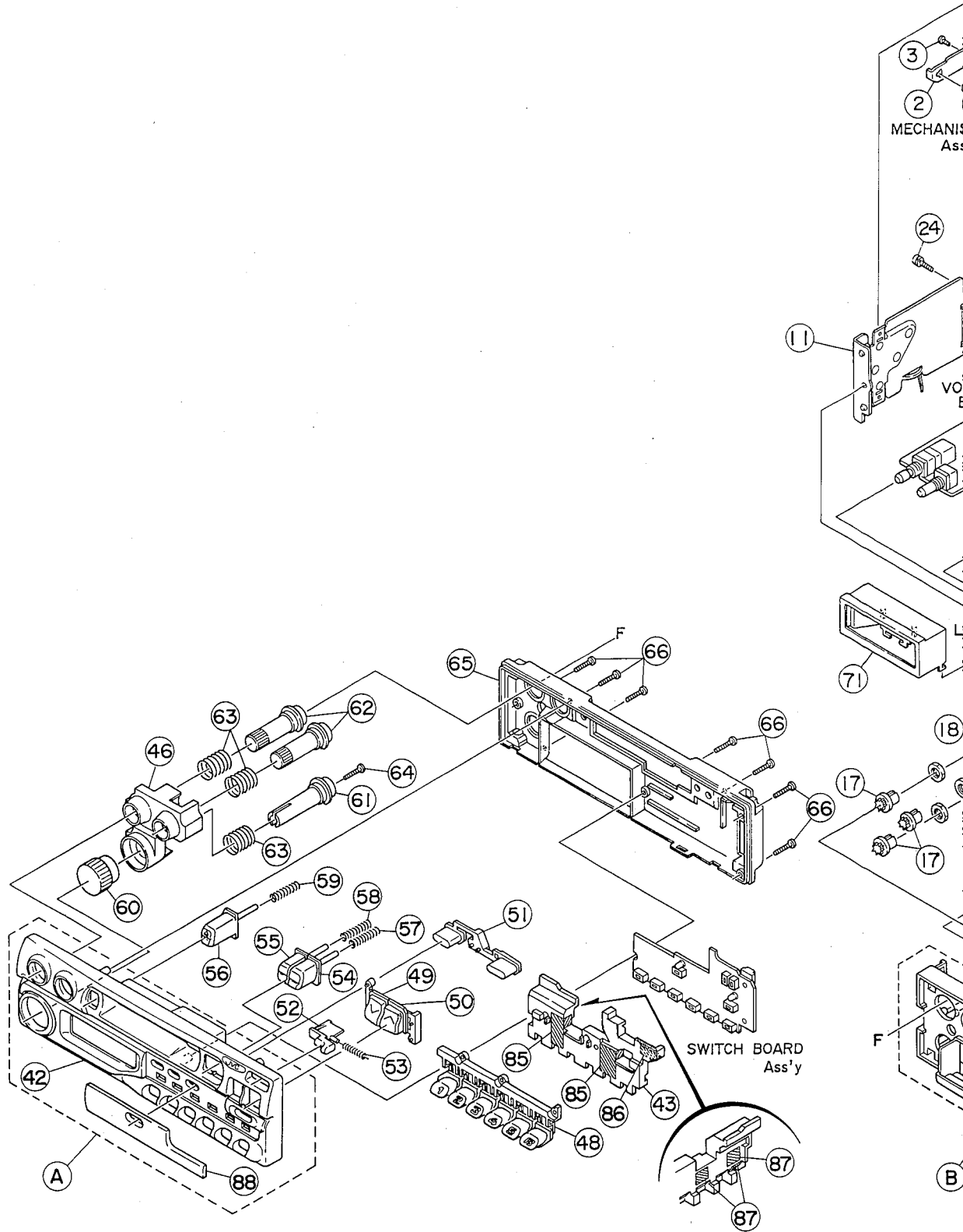
B

C

D

E

F



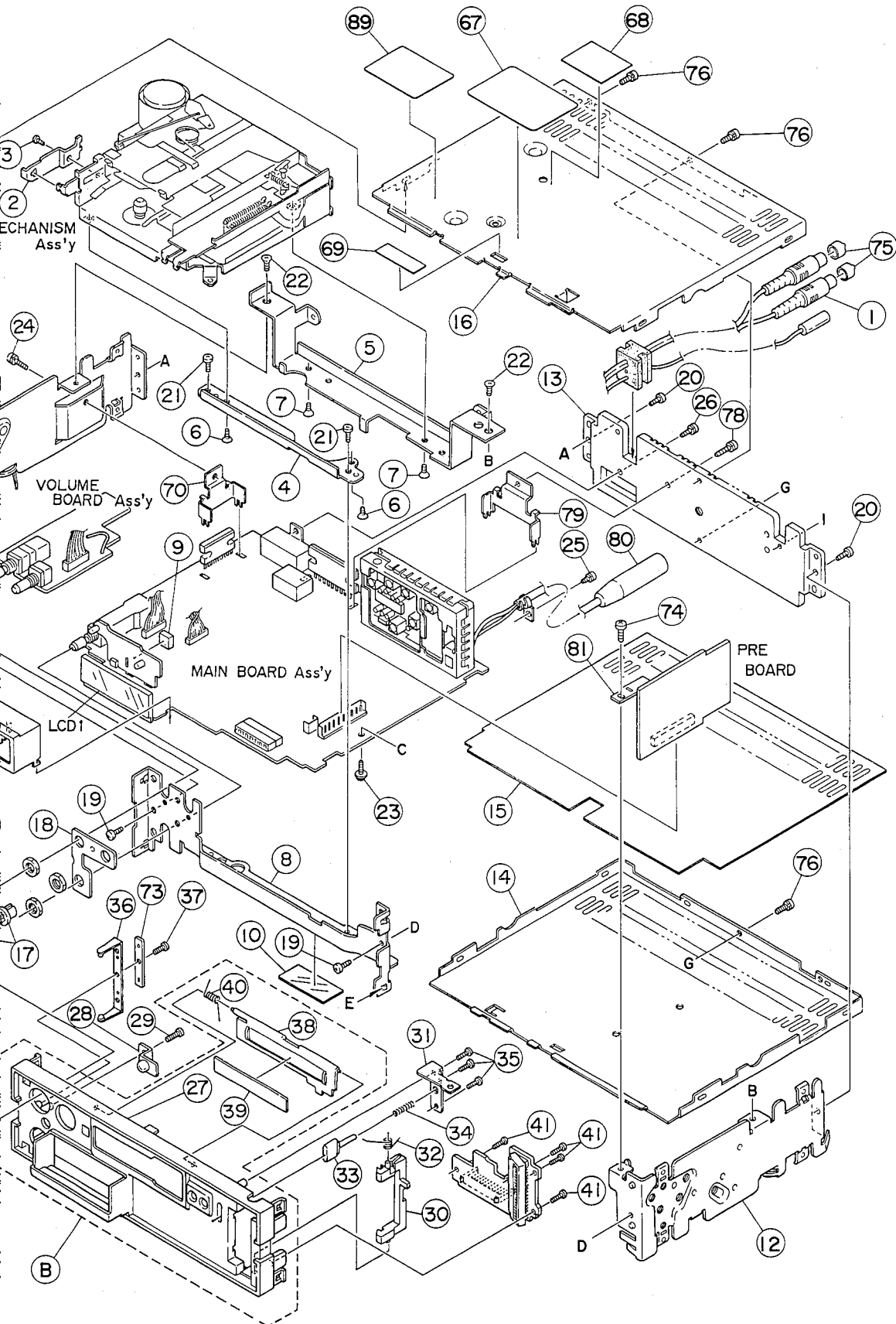
6

7

8

9

10



■ Enclosure assembly parts list

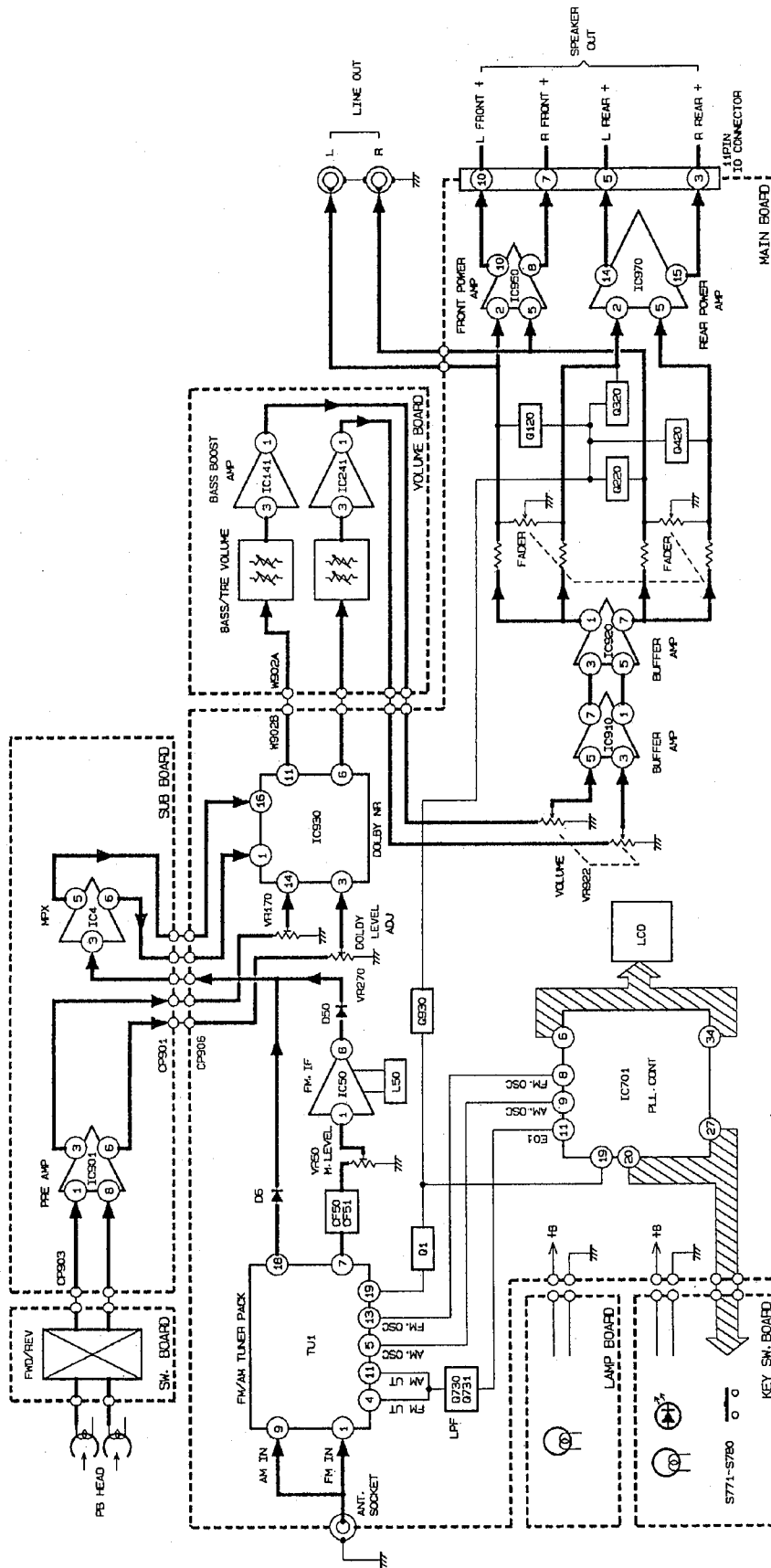
BLOCK NO. M2MM

△	REF.	PARTS NO.	PARTS NAME	REMARKS	QTY	SUFFIX	CLR
	A	ZCKSRT55J-NPA	NOSE PIECE ASSY	REF.42,47	1		
	B	ZCKSRT55K-FB	FRONT PANEL	REF.27,38,39,40	1		
	1	VMP3249-001	PIN CORD ASS'Y		1		
	2	VKL7226-003	EJECT LEVER		1		
	3	SPSK2625Z	MINI SCREW	MECHA+MECHA BKT	1		
	4	VKM3645-001	MECHA BRACKET F		1		
	5	VKM3594-001	MECHA BRACKET R		1		
	6	SSSP3005Z	SCREW	MECHA BRACKET(F	2		
	7	SSSP3005Z	SCREW	MECHA BRACKET(R	2		
	8	VKM3642-002	FRONT BRACKET		1		
	9	VYSR103-048	SPACER		1		
	10	VYSS1R4-040	SPACER		1		
	11	VKL2723-001	SIDE BKT(L)		1		
	12	VKL2724-002SS	SIDE BKT(R)		1		
	13	VJC3247-007	REAR PANEL		1		
	14	VKM3352-004	BOTTOM COVER		1		
	15	VMA3209-202	INSULATOR		1		
	16	VKM3398-005	TOP COVER		1		
	17	VKS5439-001	SHAFT KNOB		3		
	18	VKL7274-002	VOLUME HOLDER		1		
	19	SDST2606Z	SCREW	FRONT+SIDE(L,R)	2		
	20	SDST2606Z	SCREW	SIDE(L,R)+REAR	2		
	21	SDST2606Z	SCREW	FRONT BRACKET	2		
	22	SSST2606Z	SCREW	M.BKT+SIDE(L,R)	2		
	23	SDST2606Z	SCREW	MAIN PWB+SIDE B	1		
	24	LPSP2606Z	SCREW	IC BKT+S.BKT(L)	1		
	25	LPSP2606Z	SCREW	REAR BKT+ANT CO	1		
	26	LPSP2606Z	SCREW	CONNECTOR+REAR	1		
	27	FSJC2004-002	FRONT CHASSIS		1		
	28	VJK4399-002	LENS		1		
	29	SPSN1755N	MINI SCREW	F.CHASSIS+LENS	1		
	30	VKS5438-001	LOCK LEVER		1		
	31	VKL7267-001	LEVER BRACKET		1		
	32	FSKW4005-002	TORSION SPRING	LOCK LEVER	1		
	33	VXP5139-001	RLS KNOB		1		
	34	VKW3001-298	COMP.SPRING		1		
	35	SDSF2006Z	SCREW	F.CHASSIS+L.BKT	3		
	36	VKY4665-00E	LOCK SP ASS'Y		1		
	37	SDSF2008M	SCREW	F.CHASSIS+L.SPR	1		
	38	VJC4145-002SS	CASSETTE LID		1		
	39	FSJC4001-001	LID PLATE		1		
	40	VKW4947-003	DOOR SPRING		1		
	41	SPSN1755N	MINI SCREW	F.CHASSIS+C.PWB	4		
	42	FSJC1010-006	FRONT PANEL		1		
	43	VJK2181-006	LIGHT LENS		1		
	46	VJK2182-001	KNOB LENS		1		
	48	VXP2066-001	PRESET BUTTON	1/2/3/4/5/B	1		
	49	VXP3571-001	DOWN BUTTON		1		
	50	VXP3572-001	UP BUTTON		1		
	51	VXP3577-005	PUSH BUTTON	MODE/A HBS	1		
	52	FSXP3007-003	DETACH BUTTON		1		
	53	VKW3001-302	COMP. SPRING	DETACH BUTTON	1		
	54	FSXP3009-001	FF BUTTON		1		
	55	FSXP3010-001	REW BUTTON		1		
	56	FSXP3008-001	EJECT BUTTON		1		

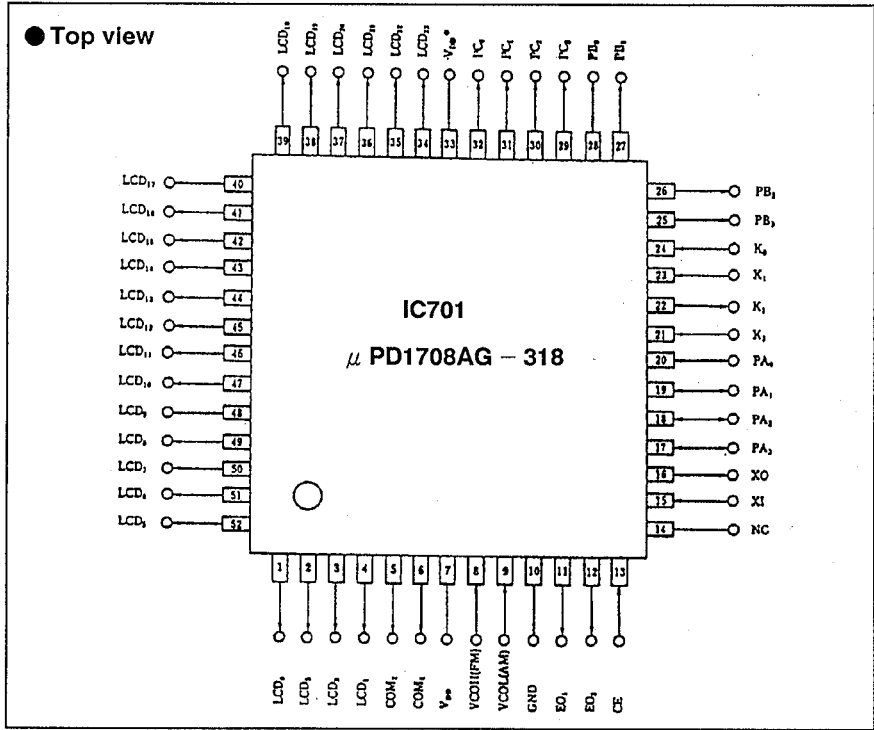
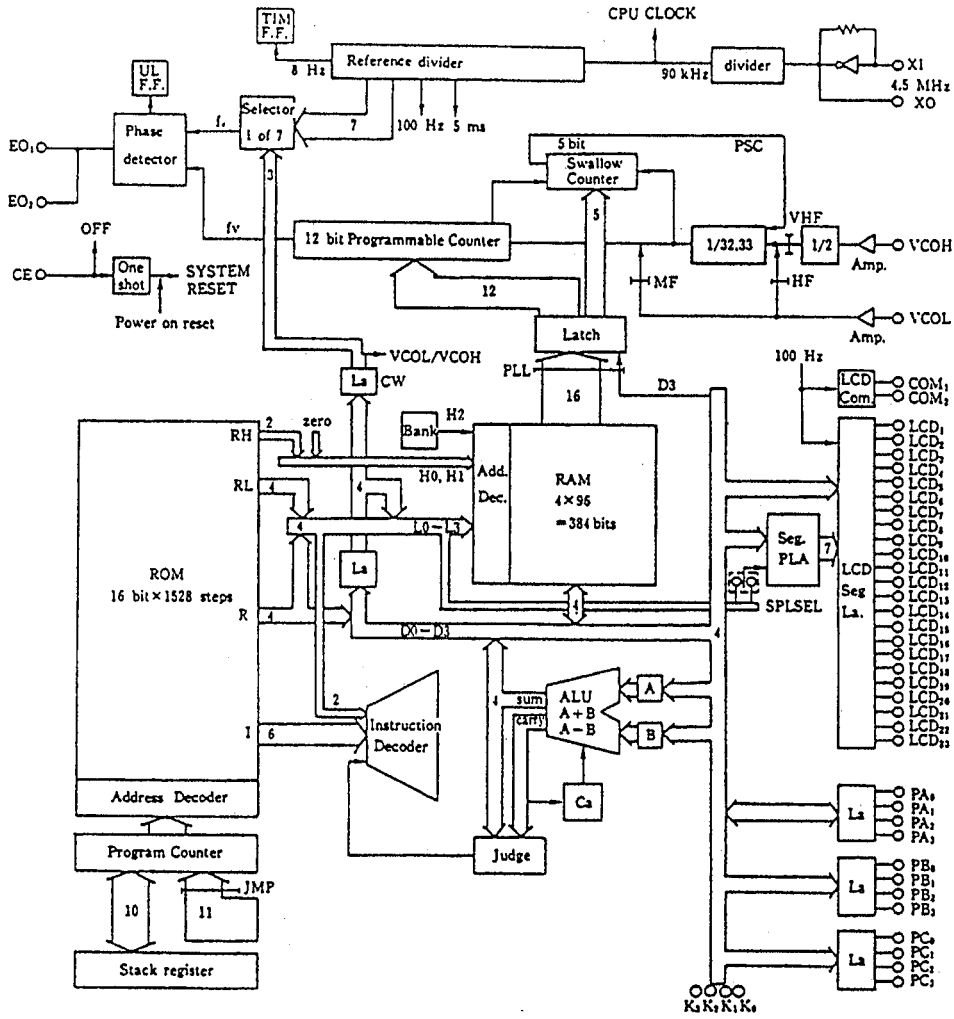
BLOCK NO. M2MM

△	REF.	PARTS NO.	PARTS NAME	REMARKS	QTY	SUFFIX	CLR
	57	VKW3001-304	COMP. SPRING	FF BUTTON	1		
	58	VKW3001-304	COMP. SPRING	REW BUTTON	1		
	59	VKW3001-304	COMP. SPRING	EJECT BUTTON	1		
	60	VXL4428-001	VOL KNOB		1		
	61	VKS5445-001	VOL KNOB(R)		1		
	62	VXL4429-001	TONE KNOB		2		
	63	VKW5071-001	SPRING	TONE KNOB	3		
	64	SPSN1755N	MINI SCREW	VOL.KNOB(F)+(R)	1		
	65	FSJC1012-002	REAR COVER		1		
	66	SPSN1755N	MINI SCREW	FRONT+REAR	7		
	67	VYN3495-S011SA	NAME PLATE		1		
	68	VND4391-001	CAUTION LABEL		1		
	69	E407097-002	HYATT L.LABEL		1		
	70	VKL6996-001	IC BRACKET		1		
	71	VKL2631-002	LAMP CASE		1		
	73	VKL7647-001	PLATE		1		
	74	SDST2606Z	SCREW	HEAD PWB+F.BKT	1		
	75	VYTA500-001	PIN CAP	LINE OUT X2	2		
	76	LPSP2606Z	SCREW	R.PANEL+TOP/BOT	3		
	78	LPSP3006Z	SCREW	SIDE BKT(L)+IC	1		
	79	VKL7275-002	IC BRACKET		1		
	80	VMP0029-007	ANT SOCKET ASSY		1		
	81	VKL7195-001	BOARD BRACKET		1		
	85	VYTT590-010	SEAL		2		
	86	VYTT625-001	SHEET		1		
	87	VYTT590-012	SEAL	LIGHT LENS	3		
	88	FSJD3006-00K	FINDER		1		
	LCD 1	VGL1131-001E	LCD		1		

8. Block Diagram



● IC701 (PLL CONTROLLER) : μ PD1708AG - 318



9. Wiring Connection

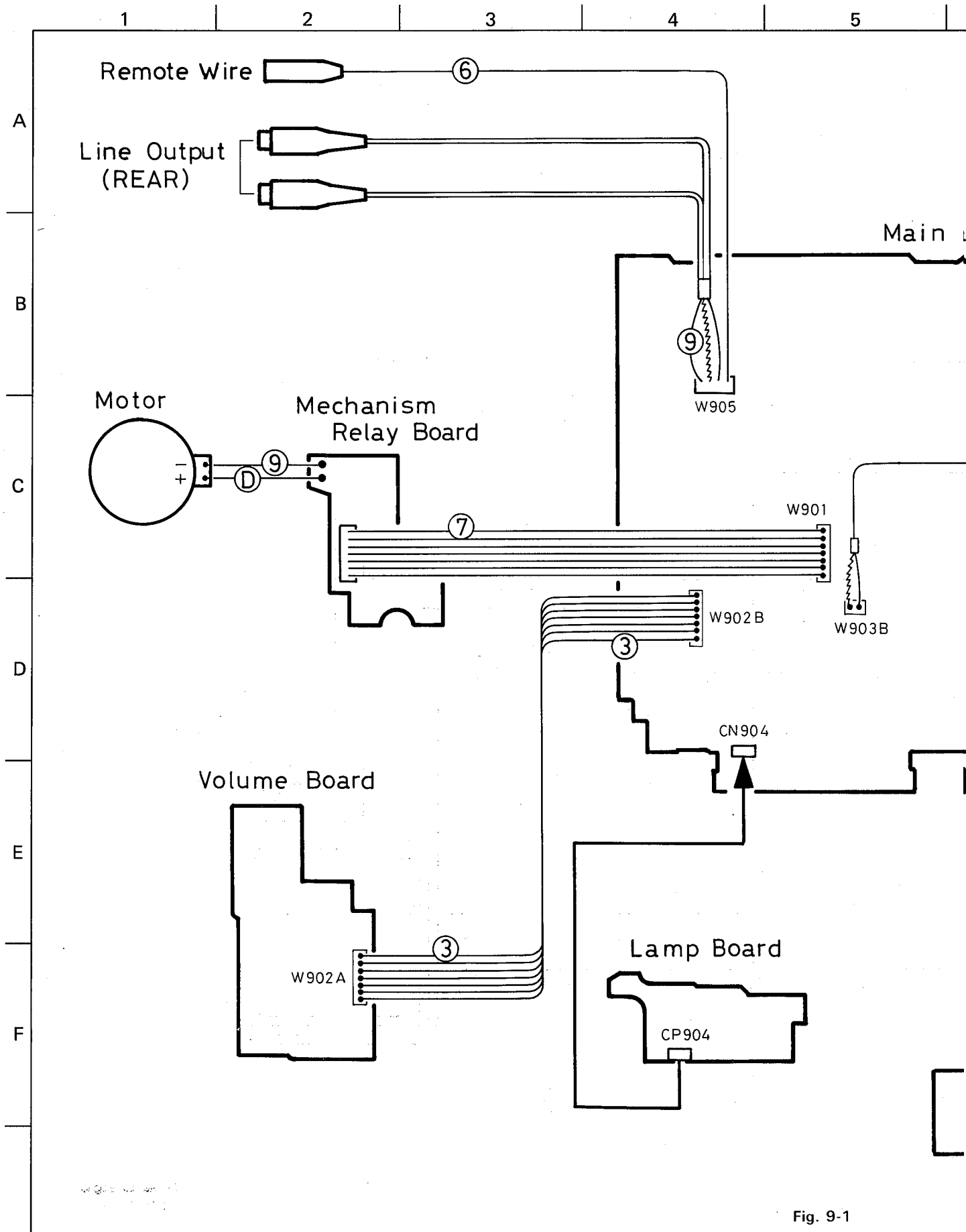


Fig. 9-1

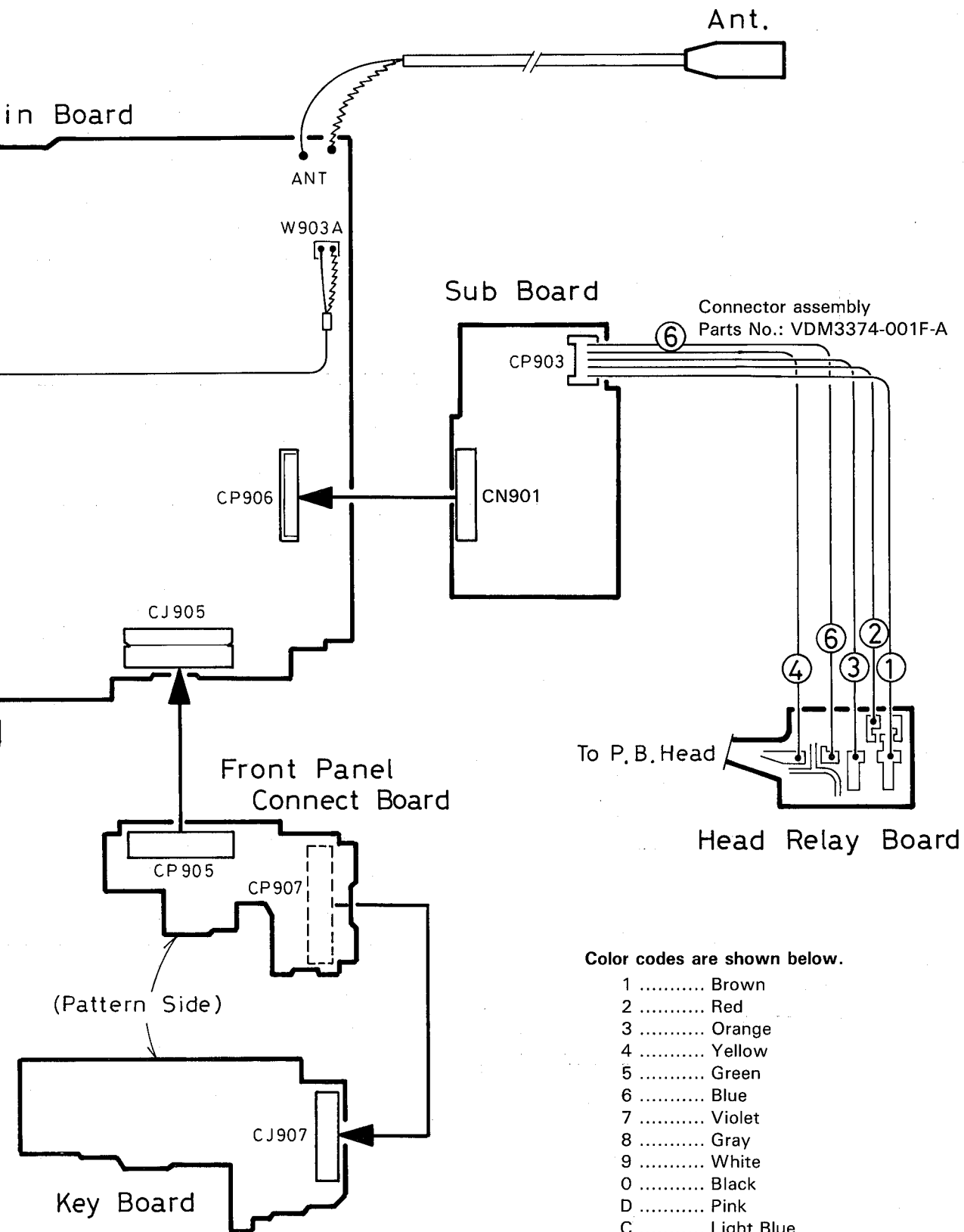
6

7

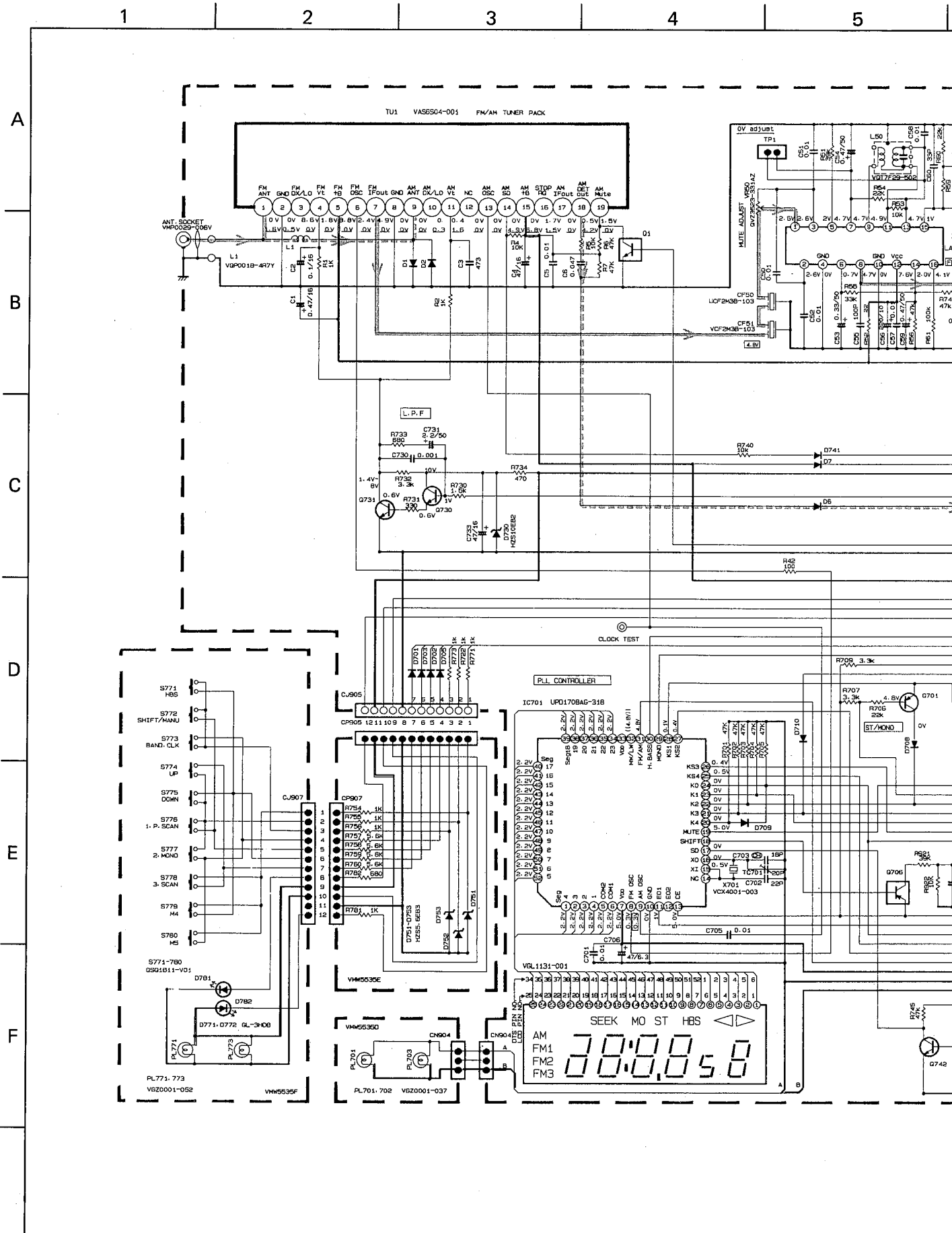
8

9

10



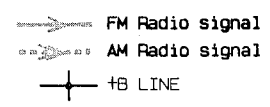
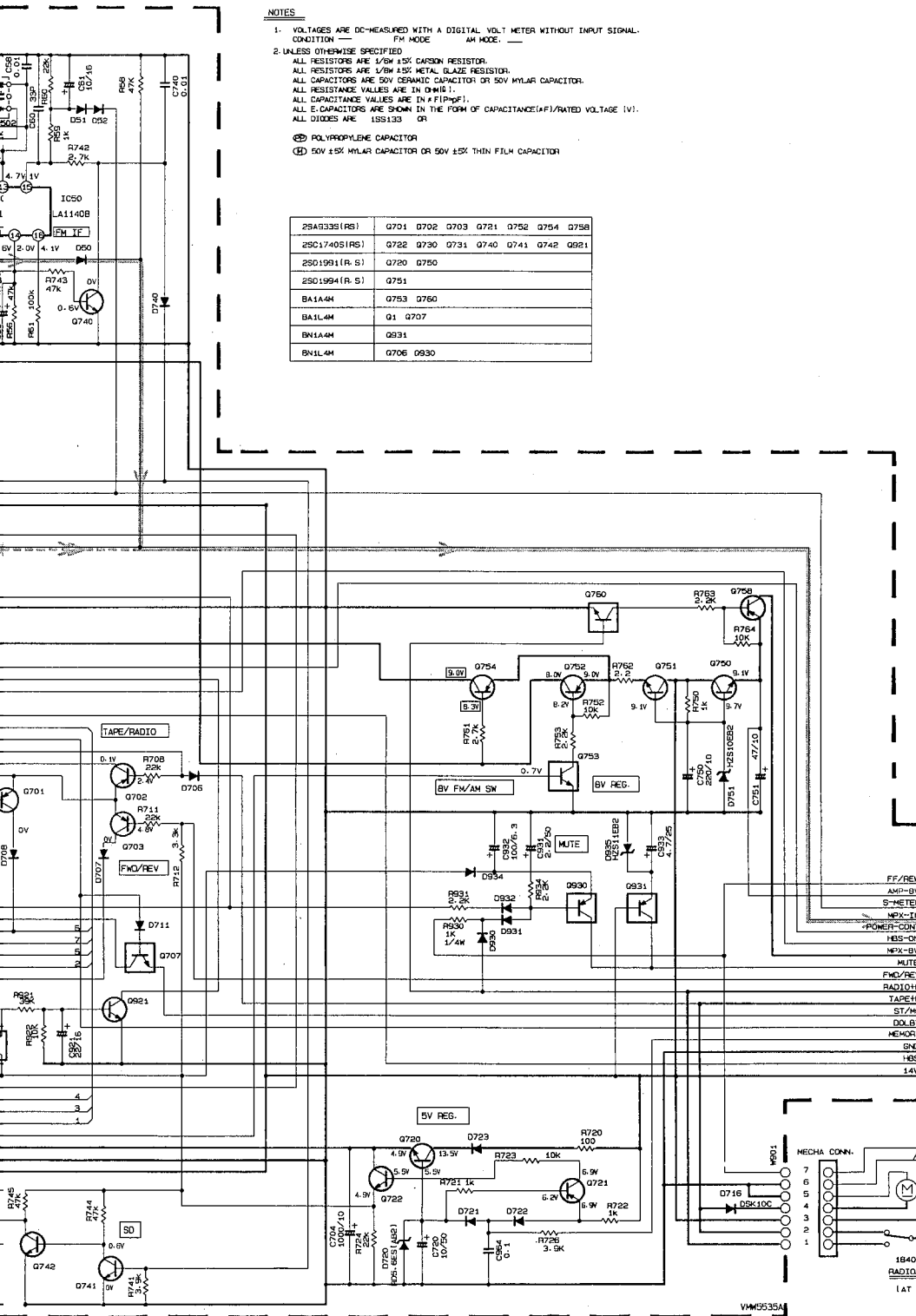
10. Standard Schematic Diagrams ■ Receiver/PLL Controller Circuit: Drawing No. VD



NOTES

1. VOLTAGES ARE DC-MEASURED WITH A DIGITAL VOLT METER WITHOUT INPUT SIGNAL.
 CONDITION — FM MODE: _____ AM MODE: _____
2. UNLESS OTHERWISE SPECIFIED:
 ALL RESISTORS ARE 1/8W 1% CARBON RESISTOR.
 ALL RESISTORS ARE 1/8W 1% METAL GLAZE RESISTOR.
 ALL CAPACITORS ARE 50V CERAMIC CAPACITOR OR 50V MYLAR CAPACITOR.
 ALL RESISTANCE VALUES ARE IN OHMS.
 ALL CAPACITANCE VALUES ARE IN PICOFARADS.
 ALL CAPACITORS ARE SHOWN IN THE FORM OF CAPACITANCE/(RATED VOLTAGE (V)).
 ALL DIODES ARE 1SS133 OR
 (P) POLYPROPYLENE CAPACITOR
 (M) 50V 1% MYLAR CAPACITOR OR 50V 1% THIN FILM CAPACITOR

2SA933S (RS)	Q701	Q702	Q703	Q721	Q756	Q754	Q758
2SC1740S (RS)	Q722	Q730	Q731	Q740	Q741	Q742	Q921
2SD1991 (R-S)	Q720	Q750					
2SD1994 (R-S)	Q751						
BA1A4M	Q753	Q760					
BA1L4M	Q1	Q707					
BN1A4M	Q931						
BN1L4M	Q706	Q930					



■ Pre-Amplifier/Power Amplifier Circuit: Drawing No. VDH3495-001AV

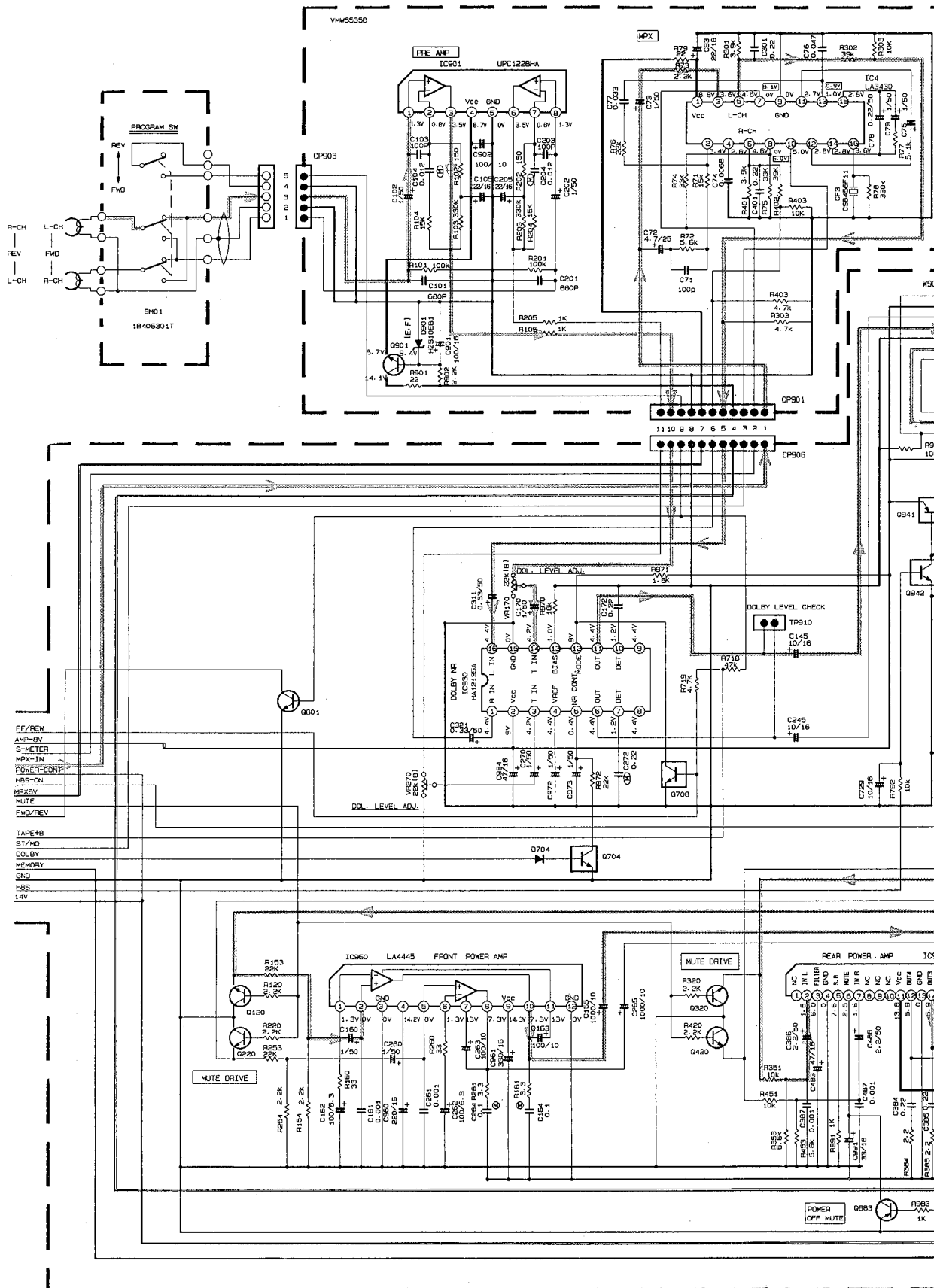
11

12

13

14

15



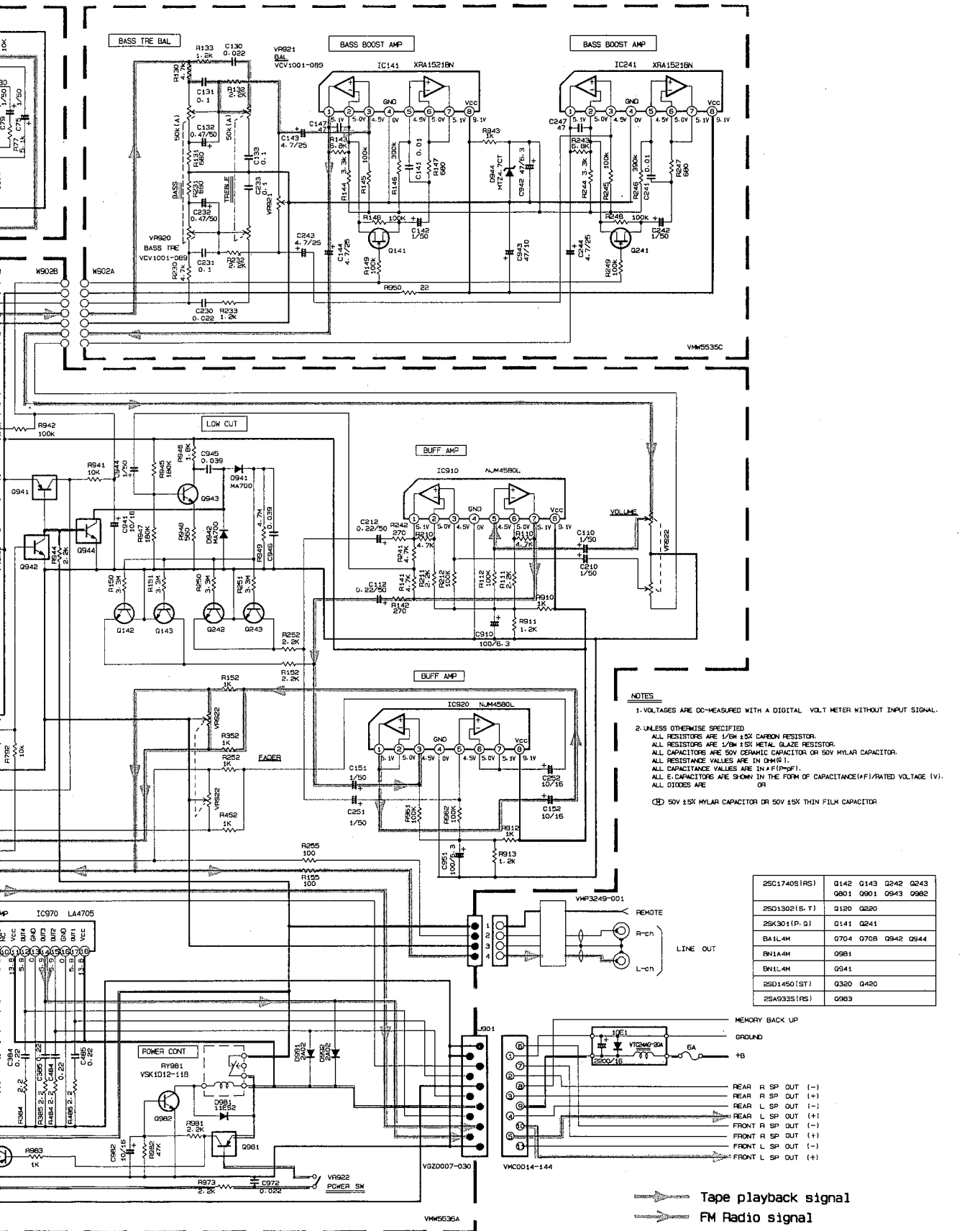
16

17

18

19

20



A

B

C

D

E

F

NOTES

1. VOLTAGES ARE DC-MEASURED WITH A DIGITAL VOLT METER WITHOUT INPUT SIGNAL.
2. UNLESS OTHERWISE SPECIFIED
 ALL RESISTORS ARE 1/8W 1%K CARBON RESISTOR.
 ALL RESISTORS ARE 1/8W 1%K METAL GLAZE RESISTOR.
 ALL CAPACITORS ARE 50V CERAMIC CAPACITOR OR 50V MYLAR CAPACITOR.
 ALL RESISTANCE VALUES ARE IN OHMS (Ω).
 ALL CAPACITANCE VALUES ARE IN μF (μF).
 ALL E. CAPACITORS ARE SHOWN IN THE FORM OF CAPACITANCE (μF)/RATED VOLTAGE (V).
 ALL DIODES ARE
 OR
 (C) 50V 1%K MYLAR CAPACITOR OR 50V 1%K THIN FILM CAPACITOR

25C1740S (RS)	Q142	Q143	Q242	Q243
	Q801	Q901	Q942	Q982
25D1302 (S-T)	Q120	Q220		
25K301 (P-Q)	Q141	Q241		
BA1L4M	Q704	Q708	Q942	Q944
BN1A4M	Q961			
BN1L4M	Q941			
25D1450 (ST)	Q320	Q420		
25A9335 (RS)	Q903			

Tape playback signal
 FM Radio signal
 +B LINE

11. Location of P.C. Board Parts

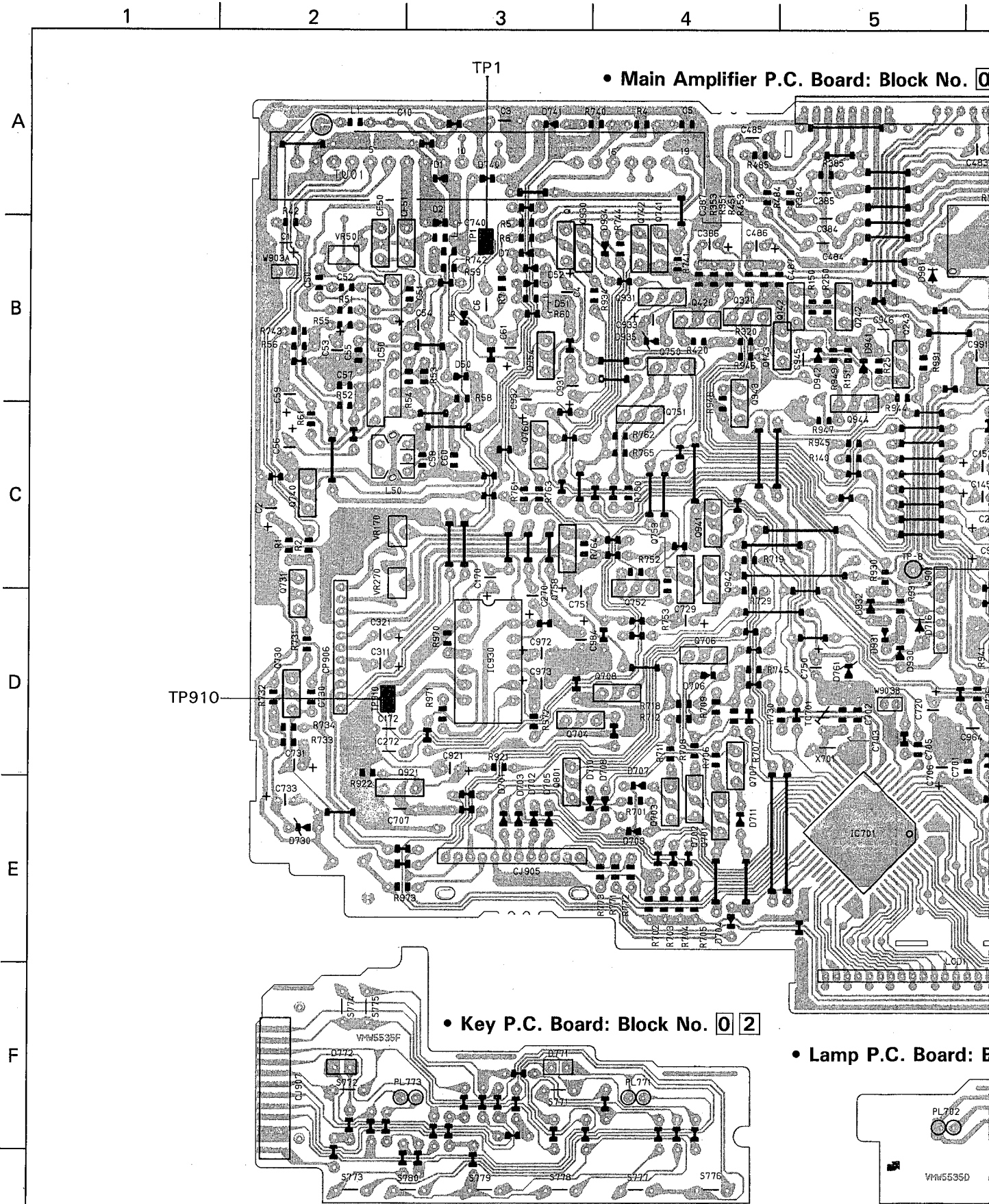
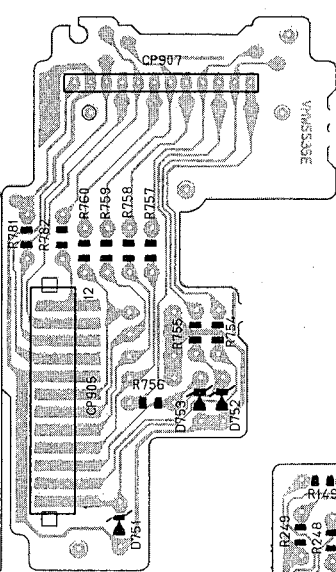
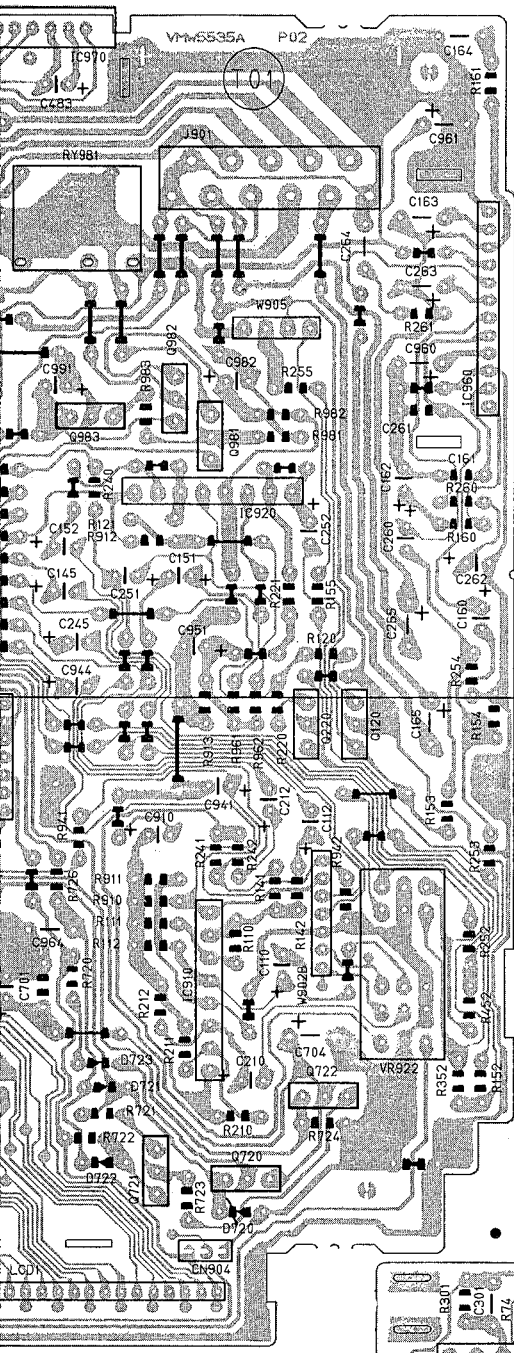
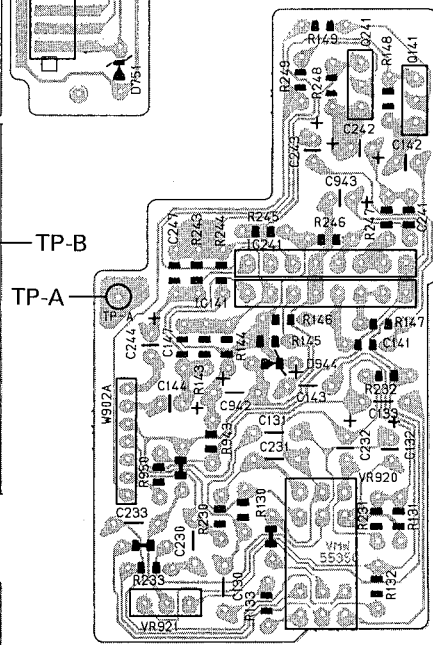


Fig.

No. 0 1



• Front Panel
Connector P.C Board
: Block No. 0 2



• Volume P.C. Board
: Block No. 0 2

ard: Block No. 0 2

• Pre-Amplifier P.C. Board: Block No. 0 2

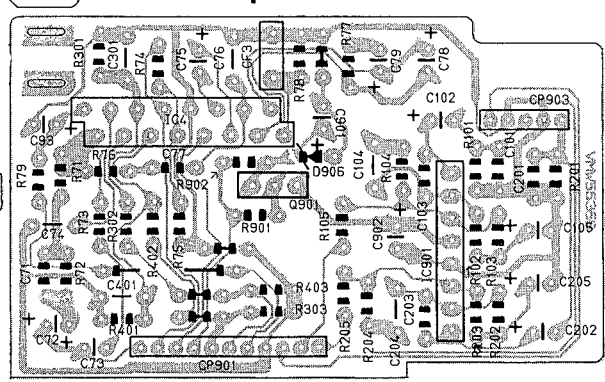


Fig. 11-1

12. Electrical Parts List

■ Main amplifier P.C. board

BLOCK NO. 01111111

REF.	PARTS NO.	PARTS NAME	REMARKS	SUFFIX
C 1	QETC1CM-476Z	E.CAPACITOR	47MF 20% 16V	
C 2	QERF1HM-474ZM	E.CAPACITOR	.47MF 20% 50V	
C 3	QCC11EM-475V	E.CAPACITOR	.047MF 20% 25V	
C 4	QER41CM-476M	E.CAPACITOR	47MF 20% 16V	
C 5	QCVB1CM-103Y	E.CAPACITOR	.010MF 20% 16V	
C 6	QFV81HJ-473	FILM CAPACITOR	.047MF 5% 50V	
C 50	QCVB1CM-103Y	E.CAPACITOR	.010MF 20% 16V	
C 51	QCVB1CM-103Y	E.CAPACITOR	.010MF 20% 16V	
C 52	QCVB1CM-103Y	E.CAPACITOR	.010MF 20% 16V	
C 53	QER41HM-334VM	E.CAPACITOR	.33MF 20% 50V	
C 54	QERF1HM-474ZM	E.CAPACITOR	.47MF 20% 50V	
C 55	QCVB1HK-101Y	E.CAPACITOR	100PF 10% 50V	
C 56	QERF1AM-227ZM	E.CAPACITOR	220NF 20% 10V	
C 57	QCVB1CM-103Y	E.CAPACITOR	.010MF 20% 16V	
C 58	QCVB1CM-103Y	E.CAPACITOR	.010MF 20% 16V	
C 59	QERF1HM-474ZM	E.CAPACITOR	.47MF 20% 50V	
C 60	QCS11HJ-330	E.CAPACITOR	33PF 5% 50V	
C 61	QER41HM-225	E.CAPACITOR	2.2MF 20% 50V	
C 71	QCVB1HK-221Y	E.CAPACITOR	220PF 10% 50V	
C 72	QER41EM-475VM	E.CAPACITOR	4.7MF 20% 25V	
C 73	QER41HM-105VM	E.CAPACITOR	1.0MF 20% 50V	
C 74	QFN41HJ-682	M CAPACITOR	6800PF 5% 50V	
C 75	QER41HM-105VM	E.CAPACITOR	1.0MF 20% 50V	
C 76	QCC11EM-473V	E.CAPACITOR	.047MF 20% 25V	
C 77	QCVB1CM-332Y	E.CAPACITOR	3300PF 20% 16V	
C 78	QER41HM-224VS	E.CAPACITOR	.22MF 20% 50V	
C 79	QER41HM-105VM	E.CAPACITOR	1.0MF 20% 50V	
C 93	QEK41CM-226	E.CAPACITOR	22MF 20% 16V	
C 101	QCVB1HK-681Y	E.CAPACITOR	680PF 10% 50V	
C 102	QEK41HM-105	E.CAPACITOR	1.0MF 20% 50V	
C 103	QCVB1HK-101Y	E.CAPACITOR	100PF 10% 50V	
C 104	QCC11EM-123V	E.CAPACITOR	.012MF 10% 25V	
C 105	QEK41CM-226	E.CAPACITOR	22MF 20% 16V	
C 110	QER41HM-105VM	E.CAPACITOR	1.0MF 20% 50V	
C 112	QER41HM-224VS	E.CAPACITOR	.22MF 20% 50V	
C 130	QCC11EM-223V	E.CAPACITOR	.022MF 20% 25V	
C 131	QCC11EM-104V	E.CAPACITOR	.10MF 20% 25V	
C 132	QEK41HM-474	E.CAPACITOR	.47MF 20% 50V	
C 133	QCC11EM-104V	E.CAPACITOR	.10MF 20% 25V	
C 141	QCVB1CM-103Y	E.CAPACITOR	.010MF 20% 16V	
C 142	QEK41HM-105	E.CAPACITOR	1.0MF 20% 50V	
C 143	QEK41EM-475	E.CAPACITOR	4.7MF 20% 25V	
C 144	QEK41EM-475	E.CAPACITOR	4.7MF 20% 25V	
C 145	QER41CM-106	E.CAPACITOR	10MF 20% 16V	
C 147	QCS11HJ-470	E.CAPACITOR	47PF 5% 50V	
C 151	QER41HM-105VM	E.CAPACITOR	1.0MF 20% 50V	
C 152	QER41CM-106	E.CAPACITOR	10MF 20% 16V	
C 160	QER41HM-105VM	E.CAPACITOR	1.0MF 20% 50V	
C 161	QCVB1HK-102Y	E.CAPACITOR	1000PF 10% 50V	
C 162	QERF0JM-107ZN	E.CAPACITOR	100PF 20% 6.3V	
C 163	QETC1AM-107ZN	E.CAPACITOR	100MF 20% 10V	
C 164	QFV41HJ-104	FILM CAPACITOR	.10MF 5% 50V	
C 165	QETC1AM-108ZN	E.CAPACITOR	1000MF 20% 10V	
C 170	QER41HM-105VM	E.CAPACITOR	1.0MF 20% 50V	
C 172	QFV41HJ-224	FILM CAPACITOR	.22MF 5% 50V	

BLOCK NO. 01111111

REF.	PARTS NO.	PARTS NAME	REMARKS	SUFFIX
C 201	QCVB1HK-681Y	E.CAPACITOR	680PF 10% 50V	
C 202	QER41HM-105VM	E.CAPACITOR	1.0MF 20% 50V	
C 203	QCVB1HK-101Y	E.CAPACITOR	100PF 10% 50V	
C 204	QCC11EM-123V	E.CAPACITOR	.012MF 10% 25V	
C 205	QER41CM-226VM	E.CAPACITOR	22MF 20% 16V	
C 210	QER41HM-105VM	E.CAPACITOR	1.0MF 20% 50V	
C 212	QER41HM-224VS	E.CAPACITOR	.22MF 20% 50V	
C 230	QCC11EM-223V	E.CAPACITOR	.022MF 20% 25V	
C 231	QCC11EM-104V	E.CAPACITOR	.10MF 20% 25V	
C 232	QEK41HM-474	E.CAPACITOR	.47MF 20% 50V	
C 233	QCC11EM-104V	E.CAPACITOR	.10MF 20% 25V	
C 241	QCVB1CM-103Y	E.CAPACITOR	.010MF 20% 16V	
C 242	QEK41HM-105	E.CAPACITOR	1.0MF 20% 50V	
C 243	QEK41EM-475	E.CAPACITOR	4.7MF 20% 25V	
C 244	QEK41EM-475	E.CAPACITOR	4.7MF 20% 25V	
C 245	QER41CM-106	E.CAPACITOR	10MF 20% 16V	
C 247	QCS11HJ-470	E.CAPACITOR	47PF 5% 50V	
C 251	QER41HM-105VM	E.CAPACITOR	1.0MF 20% 50V	
C 252	QER41CM-106	E.CAPACITOR	10MF 20% 16V	
C 260	QER41HM-105VM	E.CAPACITOR	1.0MF 20% 50V	
C 261	QCVB1HK-102Y	E.CAPACITOR	1000PF 10% 50V	
C 262	QERF0JM-107ZN	E.CAPACITOR	100MF 20% 6.3V	
C 263	QETC1AM-107ZN	E.CAPACITOR	100MF 20% 10V	
C 264	QFV41HJ-104	FILM CAPACITOR	.10MF 5% 50V	
C 265	QETC1AM-108ZN	E.CAPACITOR	1000MF 20% 10V	
C 270	QER41HM-105VM	E.CAPACITOR	1.0MF 20% 50V	
C 272	QFV41HJ-224	FILM CAPACITOR	.22MF 5% 50V	
C 301	QCC11EM-223V	E.CAPACITOR	.022MF 20% 25V	
C 311	QER41HM-334VM	E.CAPACITOR	.33MF 20% 50V	
C 321	QER41HM-334VM	E.CAPACITOR	.33MF 20% 50V	
C 384	QFV41HJ-224	FILM CAPACITOR	.22MF 5% 50V	
C 385	QFV41HJ-224	FILM CAPACITOR	.22MF 5% 50V	
C 386	QER41HM-225	E.CAPACITOR	2.2MF 20% 50V	
C 387	QCVB1HK-102Y	E.CAPACITOR	1000PF 10% 50V	
C 401	QCC11EM-223V	E.CAPACITOR	.022MF 20% 25V	
C 483	QEK41CM-476	E.CAPACITOR	.47MF 20% 16V	
C 484	QFV41HJ-224	FILM CAPACITOR	.22MF 5% 50V	
C 485	QFV41HJ-224	FILM CAPACITOR	.22MF 5% 50V	
C 486	QER41HM-225	E.CAPACITOR	2.2MF 20% 50V	
C 487	QCVB1HK-102Y	E.CAPACITOR	1000PF 10% 50V	
C 701	QCVB1CM-103Y	E.CAPACITOR	.010MF 20% 16V	
C 702	QCT30UJ-220Y	E.CAPACITOR	22PF 5% 50V	
C 703	QCT30CH-180Y	E.CAPACITOR	18PF 5% 50V	
C 704	QETC1AM-108ZN	E.CAPACITOR	1000MF 20% 10V	
C 705	QCVB1CM-103Y	E.CAPACITOR	.010MF 20% 16V	
C 706	QERF0JM-476ZN	E.CAPACITOR	47MF 20% 6.3V	
C 729	QER41CM-106	E.CAPACITOR	10MF 20% 16V	
C 730	QCVB1HK-102Y	E.CAPACITOR	1000PF 10% 50V	
C 731	QER41HM-225	E.CAPACITOR	2.2MF 20% 50V	
C 733	QER41CM-106	E.CAPACITOR	10MF 20% 16V	
C 740	QCVB1CM-103Y	E.CAPACITOR	.010MF 20% 16V	
C 750	QERF1AM-227ZM	E.CAPACITOR	220MF 20% 10V	
C 751	QERF1AM-476ZN	E.CAPACITOR	47MF 20% 10V	
C 901	QEK41CM-226	E.CAPACITOR	22MF 20% 16V	

BLOCK NO. 01111111

A	REF.	PARTS NO.	PARTS NAME	REMARKS	SUFFIX
	D 741	1SS133	SI DIODE		
	D 761	HZS10EB2	ZENER DIODE		
	D 901	HZS10EB1	ZENER DIODE		
	D 930	1SS133	SI DIODE		
	D 931	MA700A	S.B.DIODE		
	D 932	1SS133	SI DIODE		
	D 934	1SS133	SI DIODE		
	D 935	HZS11EB2	ZENER DIODE		
	D 941	MA700A	S.B.DIODE		
	D 942	MA700A	S.B.DIODE		
	D 944	MT74-7C	ZENER DIODE		
	D 981	DSK10C-E	DIODE		
	IC 4	LA3430	IC		
	IC 50	LA1140B	IC		
	IC141	BA15218N	IC		
	IC241	BA15218N	IC		
	IC701	UPDI708AG-333	IC	FOR UPDI708AG	
	IC901	UPC1228HA	IC		
	IC910	VC4580L	IC		
	IC920	VC4580L	IC		
	IC930	HA12135A	IC		
	IC960	LA4445	IC		
	IC970	LA4705	IC		
	J 901	VGT0007-030	FEED THROUGH		
	L 1	VQP0018-4R7	INDUCTOR		
	L 50	VQT7F29-502	IFT	FM OV ADJ.	
	Q 1	BA1L4M	TRANSISTOR		
	Q 120	2SD1302(S,T)	TRANSISTOR		
	Q 141	2SK301(P,Q)	TRANSISTOR(FET)		
	Q 142	2SC1740S(R,S)	TRANSISTOR		
	Q 143	2SC1740S(R,S)	TRANSISTOR		
	Q 220	2SD1302(S,T)	TRANSISTOR		
	Q 241	2SK301(P,Q)	TRANSISTOR(FET)		
	Q 242	2SC1740S(R,S)	TRANSISTOR		
	Q 243	2SC1740S(R,S)	TRANSISTOR		
	Q 320	2SD1450RST	TRANSISTOR		
	Q 420	2SD1450RST	TRANSISTOR		
	Q 701	2SA933S(RS)	TRANSISTOR		
	Q 702	2SA933S(RS)	TRANSISTOR		
	Q 703	2SA933S(RS)	TRANSISTOR		
	Q 704	BA1L4M	TRANSISTOR		
	Q 706	BN1L4M	TRANSISTOR		
	Q 707	BN1L4M	TRANSISTOR		
	Q 708	BA1L4M	TRANSISTOR		
	Q 720	2SD1991(R,S)	TRANSISTOR		
	Q 721	2SA933S(RS)	TRANSISTOR		
	Q 722	2SC1740S(R,S)	TRANSISTOR		
	Q 730	2SC1740S(R,S)	TRANSISTOR		
	Q 731	2SC1740S(R,S)	TRANSISTOR		
	Q 740	2SC1740S(R,S)	TRANSISTOR		
	Q 741	2SC1740S(R,S)	TRANSISTOR		
	Q 742	2SC1740S(R,S)	TRANSISTOR		
	Q 750	2SD1991(R,S)	TRANSISTOR		
	Q 751	2SD1994(R,S)	TRANSISTOR		
	Q 752	2SA933S(RS)	TRANSISTOR		

BLOCK NO. 01111111

A	REF.	PARTS NO.	PARTS NAME	REMARKS	SUFFIX
	C 902	GEKF1AM-107ZN	E-CAPACITOR	100MF 20% 10V	
	C 910	GERFOJM-107ZN	E-CAPACITOR	100MF 20% 6.3V	
	C 921	GER41CM-226VM	E-CAPACITOR	22MF 20% 16V	
	C 931	GER41HM-225	E-CAPACITOR	2.2MF 20% 50V	
	C 932	GER41AM-107	E-CAPACITOR	100MF 20% 10V	
	C 933	GER41EM-475VM	E-CAPACITOR	4.7MF 20% 25V	
	C 941	GER41CM-106	E-CAPACITOR	10MF 20% 16V	
	C 942	GEK41CM-476	E-CAPACITOR	47MF 20% 16V	
	C 943	GEK41CM-476	E-CAPACITOR	47MF 20% 16V	
	C 944	GER41HM-105VM	E-CAPACITOR	1.0MF 20% 50V	
	C 945	GFV11HJ-393AZM	FILM CAPACITOR	.039MF 5% 50V	
	C 946	GFV11HJ-393AZM	FILM CAPACITOR	.039MF 5% 50V	
	C 951	GERFOJM-107ZN	E-CAPACITOR	100MF 20% 6.3V	
	C 960	GE1A1CM-227	E-CAPACITOR	220MF 20% 16V	
	C 961	GETC1CM-337ZN	E-CAPACITOR	330MF 20% 16V	
	C 964	GFV41HJ-104	FILM CAPACITOR	.10MF 5% 50V	
	C 972	GER41HM-105VM	E-CAPACITOR	1.0MF 20% 50V	
	C 973	GER41HM-105VM	E-CAPACITOR	1.0MF 20% 50V	
	C 974	QCC11EM-223V	C-CAPACITOR	.022MF 20% 25V	
	C 982	GER41CM-106	E-CAPACITOR	10MF 20% 16V	
	C 984	GER41CM-476M	E-CAPACITOR	47MF 20% 16V	
	C 991	GER41AM-336	E-CAPACITOR	33MF 20% 10V	
	CF 3	CSB456F11	CERA LOCK		
	CF 50	VCF2M3B-103	CERAMIC FILTER		
	CF 51	VCF2M3B-103	CERAMIC FILTER		
	CJ905	VMC0232-S12	CONNECTOR	TO CONN PWB	
	CN906	VMC0136-011	CONNECTOR	TO MAIN PWB	
	CP903	TXLL-005-M	CONNECTOR	FROM MECHA	
	CP905	VMC0232-S12	CONNECTOR	TO CONN PWB	
	CP906	VMC0135-011	CONNECTOR		
	D 1	1SS133	SI DIODE		
	D 2	1SS133	SI DIODE		
	D 6	1SS133	SI DIODE		
	D 7	1SS133	SI DIODE		
	D 50	1SS133	SI DIODE		
	D 51	1SS133	SI DIODE		
	D 52	1SS133	SI DIODE		
	D 701	1SS133	SI DIODE		
	D 702	1SS133	SI DIODE		
	D 703	1SS133	SI DIODE		
	D 704	1SS133	SI DIODE		
	D 705	1SS133	SI DIODE		
	D 706	1SS133	SI DIODE		
	D 707	1SS133	SI DIODE		
	D 708	1SS133	SI DIODE		
	D 709	1SS133	SI DIODE		
	D 710	1SS133	SI DIODE		
	D 711	1SS133	SI DIODE		
	D 716	DSK10C-E	DIODE		
	D 720	HZS5.6EB3	ZENER DIODE		
	D 721	1SS133	SI DIODE		
	D 722	1SS133	SI DIODE		
	D 723	1SS133	SI DIODE		
	D 730	HZS10EB2	ZENER DIODE		
	D 740	1SS133	SI DIODE		

BLOCK NO. 01

REF.	PARTS NO.	PARTS NAME	REMARKS	SUFFIX
R 140	QRD161J-222	CARBON RESISTOR	2.2K 5% 1/6W	
R 141	QRD161J-472	CARBON RESISTOR	4.7K 5% 1/6W	
R 142	QRD161J-271	CARBON RESISTOR	270 5% 1/6W	
R 143	QRD167J-682	CARBON RESISTOR	6.8K 5% 1/6W	
R 144	QRD167J-332	CARBON RESISTOR	3.3K 5% 1/6W	
R 145	QRD161J-104	CARBON RESISTOR	100K 5% 1/6W	
R 146	QRD161J-394	CARBON RESISTOR	390K 5% 1/6W	
R 147	QRD161J-681	CARBON RESISTOR	680 5% 1/6W	
R 148	QRD161J-104	CARBON RESISTOR	100K 5% 1/6W	
R 149	QRD161J-104	CARBON RESISTOR	100K 5% 1/6W	
R 150	QRD161J-335YT	CARBON RESISTOR	3.3M 5% 1/6W	
R 151	QRD161J-335YT	CARBON RESISTOR	3.3M 5% 1/6W	
R 152	QRD161J-102	CARBON RESISTOR	1.0K 5% 1/6W	
R 153	QRD161J-223	CARBON RESISTOR	22K 5% 1/6W	
R 154	QRD161J-222	CARBON RESISTOR	2.2K 5% 1/6W	
R 155	QRD161J-101	CARBON RESISTOR	100 5% 1/6W	
R 160	QRD161J-330	CARBON RESISTOR	33 5% 1/6W	
R 161	QRD161J-3R3	CARBON RESISTOR	3.3 5% 1/6W	
R 201	QRD161J-104	CARBON RESISTOR	100K 5% 1/6W	
R 202	QRD161J-151	CARBON RESISTOR	150 5% 1/6W	
R 203	QRD161J-334	CARBON RESISTOR	330K 5% 1/6W	
R 204	QRD161J-153	CARBON RESISTOR	15K 5% 1/6W	
R 205	QRD161J-102	CARBON RESISTOR	1.0K 5% 1/6W	
R 210	QRD161J-472	CARBON RESISTOR	4.7K 5% 1/6W	
R 211	QRD161J-222	CARBON RESISTOR	2.2K 5% 1/6W	
R 212	QRD161J-104	CARBON RESISTOR	100K 5% 1/6W	
R 220	QRD161J-222	CARBON RESISTOR	2.2K 5% 1/6W	
R 230	QRD161J-472	CARBON RESISTOR	4.7K 5% 1/6W	
R 231	QRD161J-681	CARBON RESISTOR	680 5% 1/6W	
R 232	QRD161J-222	CARBON RESISTOR	2.2K 5% 1/6W	
R 233	QRD161J-122	CARBON RESISTOR	1.2K 5% 1/6W	
R 240	QRD161J-222	CARBON RESISTOR	2.2K 5% 1/6W	
R 241	QRD161J-472	CARBON RESISTOR	4.7K 5% 1/6W	
R 242	QRD161J-271	CARBON RESISTOR	270 5% 1/6W	
R 243	QRD167J-682	CARBON RESISTOR	6.8K 5% 1/6W	
R 244	QRD167J-332	CARBON RESISTOR	3.3K 5% 1/6W	
R 245	QRD161J-104	CARBON RESISTOR	100K 5% 1/6W	
R 246	QRD161J-394	CARBON RESISTOR	390K 5% 1/6W	
R 247	QRD161J-681	CARBON RESISTOR	680 5% 1/6W	
R 248	QRD161J-104	CARBON RESISTOR	100K 5% 1/6W	
R 249	QRD161J-104	CARBON RESISTOR	100K 5% 1/6W	
R 250	QRD161J-335YT	CARBON RESISTOR	3.3M 5% 1/6W	
R 251	QRD161J-335YT	CARBON RESISTOR	3.3M 5% 1/6W	
R 252	QRD161J-102	CARBON RESISTOR	1.0K 5% 1/6W	
R 253	QRD161J-223	CARBON RESISTOR	22K 5% 1/6W	
R 254	QRD161J-222	CARBON RESISTOR	2.2K 5% 1/6W	
R 255	QRD161J-101	CARBON RESISTOR	100 5% 1/6W	
R 260	QRD161J-330	CARBON RESISTOR	33 5% 1/6W	
R 261	QRD161J-3R3	CARBON RESISTOR	3.3 5% 1/6W	
R 301	QRD161J-392	CARBON RESISTOR	3.9K 5% 1/6W	
R 302	QRD161J-393	CARBON RESISTOR	39K 5% 1/6W	
R 303	QRD161J-103	CARBON RESISTOR	10K 5% 1/6W	
R 320	QRD161J-222	CARBON RESISTOR	2.2K 5% 1/6W	
R 351	QRD161J-103	CARBON RESISTOR	10K 5% 1/6W	
R 352	QRD161J-102	CARBON RESISTOR	1.0K 5% 1/6W	

BLOCK NO. 01

REF.	PARTS NO.	PARTS NAME	REMARKS	SUFFIX
Q 753	B1A4M	TRANSISTOR		
Q 754	2SA933S(RS)	TRANSISTOR		
Q 758	2SA933S(RS)	TRANSISTOR		
Q 760	B1A4M	TRANSISTOR		
Q 801	2SC1740S(R,S)	TRANSISTOR		
Q 901	2SC1740S(R,S)	TRANSISTOR		
Q 921	2SC1740S(R,S)	TRANSISTOR		
Q 930	BN1L4M	TRANSISTOR		
Q 931	BN1A4M	TRANSISTOR		
Q 941	BN1L4M	TRANSISTOR		
Q 942	B1L4M	TRANSISTOR		
Q 943	2SC1740S(R,S)	TRANSISTOR		
Q 944	B1A4M	TRANSISTOR		
Q 981	BN1L4M	TRANSISTOR		
Q 982	2SC1740S(R,S)	TRANSISTOR		
Q 983	2SA933S(RS)	TRANSISTOR		
R 1	QRD161J-102	CARBON RESISTOR	1.0K 5% 1/6W	
R 2	QRD161J-102	CARBON RESISTOR	1.0K 5% 1/6W	
R 4	QRD161J-103	CARBON RESISTOR	10K 5% 1/6W	
R 5	QRD161J-103	CARBON RESISTOR	10K 5% 1/6W	
R 6	QRD161J-473	CARBON RESISTOR	47K 5% 1/6W	
R 7	QRD161J-473	CARBON RESISTOR	47K 5% 1/6W	
R 42	QRD161J-101	CARBON RESISTOR	100 5% 1/6W	
R 51	QRD161J-153	CARBON RESISTOR	15K 5% 1/6W	
R 52	QRD161J-220	CARBON RESISTOR	22 5% 1/6W	
R 53	QRD161J-103	CARBON RESISTOR	10K 5% 1/6W	
R 54	QRD161J-223	CARBON RESISTOR	22K 5% 1/6W	
R 55	QRD161J-333	CARBON RESISTOR	33K 5% 1/6W	
R 56	QRD161J-473	CARBON RESISTOR	47K 5% 1/6W	
R 58	QRD161J-473	CARBON RESISTOR	47K 5% 1/6W	
R 59	QRD161J-392	CARBON RESISTOR	3.9K 5% 1/6W	
R 60	QRD161J-223	CARBON RESISTOR	22K 5% 1/6W	
R 61	QRD161J-104	CARBON RESISTOR	100K 5% 1/6W	
R 71	QRD161J-153	CARBON RESISTOR	15K 5% 1/6W	
R 72	QRD167J-562	CARBON RESISTOR	5.6K 5% 1/6W	
R 73	QRD161J-222	CARBON RESISTOR	2.2K 5% 1/6W	
R 74	QRD161J-393	CARBON RESISTOR	39K 5% 1/6W	
R 75	QRD161J-333	CARBON RESISTOR	33K 5% 1/6W	
R 76	QRD161J-223	CARBON RESISTOR	22K 5% 1/6W	
R 77	QRD161J-512	CARBON RESISTOR	5.1K 5% 1/6W	
R 78	QRD161J-334	CARBON RESISTOR	330K 5% 1/6W	
R 79	QRD161J-220	CARBON RESISTOR	22 5% 1/6W	
R 101	QRD161J-104	CARBON RESISTOR	100K 5% 1/6W	
R 102	QRD161J-151	CARBON RESISTOR	150 5% 1/6W	
R 103	QRD161J-334	CARBON RESISTOR	330K 5% 1/6W	
R 104	QRD161J-153	CARBON RESISTOR	15K 5% 1/6W	
R 105	QRD161J-102	CARBON RESISTOR	1.0K 5% 1/6W	
R 110	QRD161J-472	CARBON RESISTOR	4.7K 5% 1/6W	
R 111	QRD161J-222	CARBON RESISTOR	2.2K 5% 1/6W	
R 112	QRD161J-104	CARBON RESISTOR	100K 5% 1/6W	
R 120	QRD161J-222	CARBON RESISTOR	2.2K 5% 1/6W	
R 130	QRD161J-472	CARBON RESISTOR	4.7K 5% 1/6W	
R 131	QRD161J-681	CARBON RESISTOR	680 5% 1/6W	
R 132	QRD161J-222	CARBON RESISTOR	2.2K 5% 1/6W	
R 133	QRD161J-122	CARBON RESISTOR	1.2K 5% 1/6W	

BLOCK NO. 01111111

REF.	PARTS NO.	PARTS NAME	REMARKS	SUFFIX
R 910	QRD161J-102	CARBON RESISTOR	1.0K 5% 1/6W	
R 911	QRD161J-122	CARBON RESISTOR	1.2K 5% 1/6W	
R 912	QRD161J-102	CARBON RESISTOR	1.0K 5% 1/6W	
R 913	QRD161J-122	CARBON RESISTOR	1.2K 5% 1/6W	
R 921	QRD161J-393	CARBON RESISTOR	39K 5% 1/6W	
R 922	QRD161J-103	CARBON RESISTOR	10K 5% 1/6W	
R 930	QRD161J-102S	CARBON RESISTOR	1.0K 5% 1/4W	
R 931	QRD161J-222	CARBON RESISTOR	2.2K 5% 1/6W	
R 934	QRD161J-222	CARBON RESISTOR	2.2K 5% 1/6W	
R 941	QRD161J-103	CARBON RESISTOR	10K 5% 1/6W	
R 942	QRD161J-104	CARBON RESISTOR	100K 5% 1/6W	
R 943	QRD161J-102	CARBON RESISTOR	1.0K 5% 1/6W	
R 944	QRD161J-222	CARBON RESISTOR	2.2K 5% 1/6W	
R 945	QRD161J-184	CARBON RESISTOR	180K 5% 1/6W	
R 946	QRD161J-182	CARBON RESISTOR	1.8K 5% 1/6W	
R 947	QRD161J-184	CARBON RESISTOR	180K 5% 1/6W	
R 948	QRD161J-561	CARBON RESISTOR	560 5% 1/6W	
R 949	QRD161J-475	CARBON RESISTOR	4.7M 5% 1/6W	
R 950	QRD161J-220	CARBON RESISTOR	22 5% 1/6W	
R 961	QRD161J-104	CARBON RESISTOR	100K 5% 1/6W	
R 962	QRD161J-104	CARBON RESISTOR	100K 5% 1/6W	
R 970	QRD161J-183	CARBON RESISTOR	18K 5% 1/6W	
R 971	QRD161J-182	CARBON RESISTOR	1.8K 5% 1/6W	
R 972	QRD161J-223	CARBON RESISTOR	22K 5% 1/6W	
R 973	QRD161J-222	CARBON RESISTOR	2.2K 5% 1/6W	
R 981	QRD161J-222	CARBON RESISTOR	2.2K 5% 1/6W	
R 982	QRD161J-473	CARBON RESISTOR	47K 5% 1/6W	
R 983	QRD161J-102	CARBON RESISTOR	1.0K 5% 1/6W	
R 991	QRD161J-103	CARBON RESISTOR	10K 5% 1/6W	
RY981	VSK1D12-118	RELAY		
TC701	QAT3722-2002M	T-CAPACITOR	CLOCK FREQ.ADJ.	
TP 1	TXLP-002-B	CONNECTOR		
TP-A	VMZ0015-012	STYLE PIN		
TP-B	VMZ0015-012	STYLE PIN		
TP910	TXLP-002-B	CONNECTOR	DOLBY LEVEL	
TU 01	VAF6S04-001	FM/AM TUNER PAC		
VR 50	QVZ3523-331AZ	V-RESISTOR	BLEND ADJ.	
VR170	QVZ3523-203AZ	V-RESISTOR	DOLBY L.ADJ.L	
VR270	QVZ3523-203AZ	V-RESISTOR	DOLBY L.ADJ.R	
VR920	VCV1001-152	V RESISTOR	BASS/TRE	
VR921	VCV1001-153	V RESISTOR	BAL	
VR922	VCV1001-154	V RESISTOR	SW,VOL,FAD	
X 701	VX4001-003	CRYSTAL		

BLOCK NO. 01111111

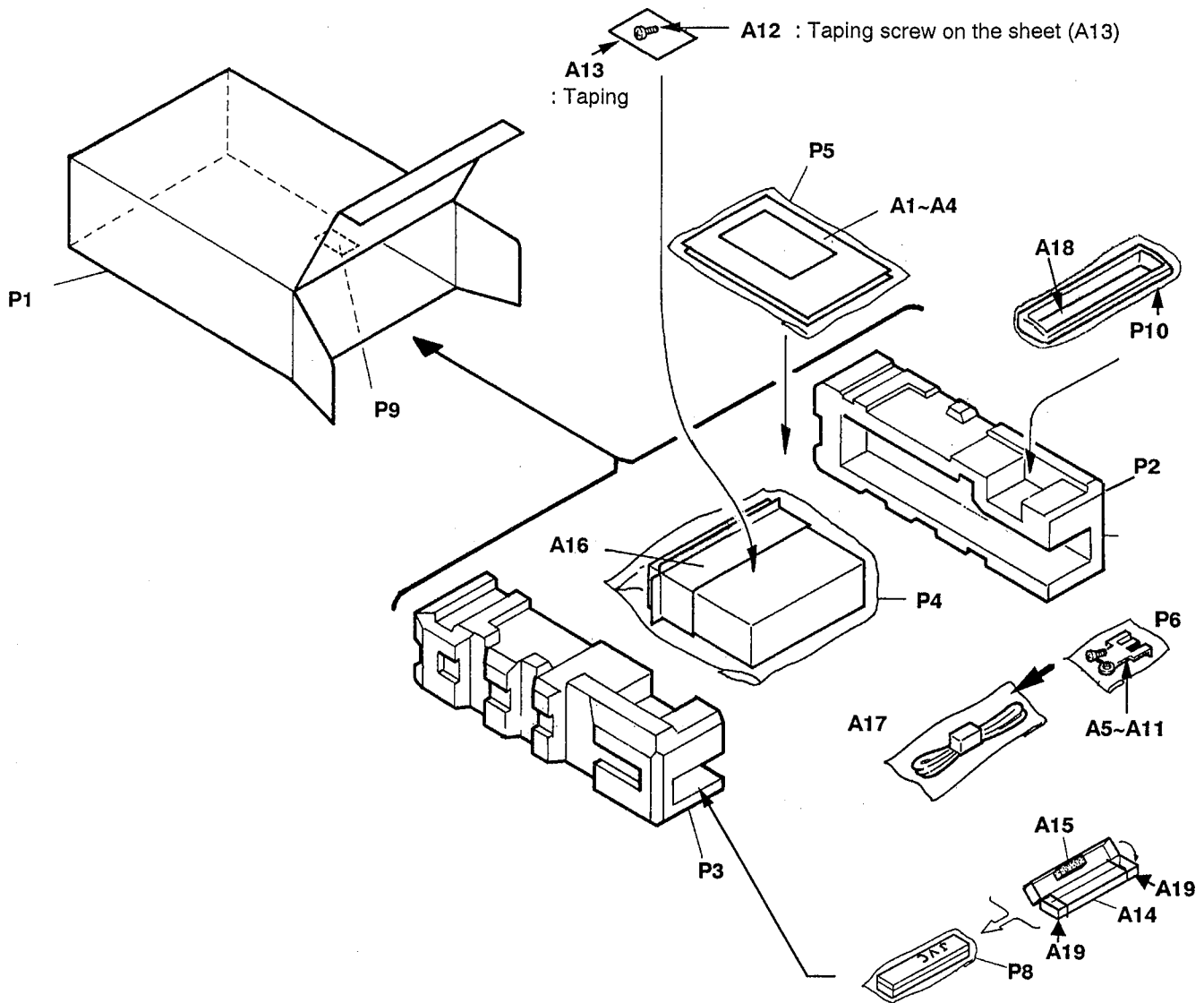
REF.	PARTS NO.	PARTS NAME	REMARKS	SUFFIX
R 353	QRD167J-562	CARBON RESISTOR	5.6K 5% 1/6W	
R 384	QRD161J-2R2	CARBON RESISTOR	2.2 5% 1/6W	
R 385	QRD161J-2R2	CARBON RESISTOR	2.2 5% 1/6W	
R 401	QRD161J-392	CARBON RESISTOR	3.9K 5% 1/6W	
R 402	QRD161J-393	CARBON RESISTOR	39K 5% 1/6W	
R 403	QRD161J-103	CARBON RESISTOR	10K 5% 1/6W	
R 420	QRD161J-222	CARBON RESISTOR	2.2K 5% 1/6W	
R 451	QRD161J-103	CARBON RESISTOR	10K 5% 1/6W	
R 452	QRD161J-102	CARBON RESISTOR	1.0K 5% 1/6W	
R 453	QRD167J-562	CARBON RESISTOR	5.6K 5% 1/6W	
R 484	QRD161J-2R2	CARBON RESISTOR	2.2 5% 1/6W	
R 485	QRD161J-2R2	CARBON RESISTOR	2.2 5% 1/6W	
R 701	QRD161J-473	CARBON RESISTOR	47K 5% 1/6W	
R 702	QRD161J-473	CARBON RESISTOR	47K 5% 1/6W	
R 703	QRD161J-473	CARBON RESISTOR	47K 5% 1/6W	
R 704	QRD161J-473	CARBON RESISTOR	47K 5% 1/6W	
R 705	QRD161J-473	CARBON RESISTOR	47K 5% 1/6W	
R 706	QRD161J-223	CARBON RESISTOR	22K 5% 1/6W	
R 707	QRD167J-332	CARBON RESISTOR	3.3K 5% 1/6W	
R 708	QRD161J-223	CARBON RESISTOR	22K 5% 1/6W	
R 709	QRD167J-332	CARBON RESISTOR	3.3K 5% 1/6W	
R 711	QRD161J-223	CARBON RESISTOR	22K 5% 1/6W	
R 712	QRD167J-332	CARBON RESISTOR	3.3K 5% 1/6W	
R 718	QRD161J-473	CARBON RESISTOR	47K 5% 1/6W	
R 719	QRD161J-472	CARBON RESISTOR	4.7K 5% 1/6W	
R 720	QRD161J-101	CARBON RESISTOR	100 5% 1/6W	
R 721	QRD161J-102	CARBON RESISTOR	1.0K 5% 1/6W	
R 722	QRD161J-102	CARBON RESISTOR	1.0K 5% 1/6W	
R 723	QRD161J-103	CARBON RESISTOR	10K 5% 1/6W	
R 724	QRD161J-223	CARBON RESISTOR	22K 5% 1/6W	
R 729	QRD161J-103	CARBON RESISTOR	10K 5% 1/6W	
R 730	QRD161J-152	CARBON RESISTOR	1.5K 5% 1/6W	
R 731	QRD161J-331	CARBON RESISTOR	330 5% 1/6W	
R 732	QRD167J-332	CARBON RESISTOR	3.3K 5% 1/6W	
R 733	QRD161J-681	CARBON RESISTOR	680 5% 1/6W	
R 734	QRD161J-471	CARBON RESISTOR	470 5% 1/6W	
R 740	QRD161J-103	CARBON RESISTOR	10K 5% 1/6W	
R 741	QRD161J-392	CARBON RESISTOR	3.9K 5% 1/6W	
R 742	QRD161J-272	CARBON RESISTOR	2.7K 5% 1/6W	
R 743	QRD161J-473	CARBON RESISTOR	47K 5% 1/6W	
R 744	QRD161J-473	CARBON RESISTOR	47K 5% 1/6W	
R 745	QRD161J-473	CARBON RESISTOR	47K 5% 1/6W	
R 750	QRD161J-102	CARBON RESISTOR	1.0K 5% 1/6W	
R 752	QRD161J-103	CARBON RESISTOR	10K 5% 1/6W	
R 753	QRD161J-222	CARBON RESISTOR	2.2K 5% 1/6W	
R 761	QRD161J-272	CARBON RESISTOR	2.7K 5% 1/6W	
R 762	QRD161J-222	CARBON RESISTOR	2.2 5% 1/6W	
R 763	QRD161J-222	CARBON RESISTOR	2.2K 5% 1/6W	
R 764	QRD161J-103	CARBON RESISTOR	10K 5% 1/6W	
R 771	QRD161J-152	CARBON RESISTOR	1.5K 5% 1/6W	
R 772	QRD161J-152	CARBON RESISTOR	1.5K 5% 1/6W	
R 773	QRD161J-152	CARBON RESISTOR	1.5K 5% 1/6W	
R 901	QRD161J-220	CARBON RESISTOR	22 5% 1/6W	
R 902	QRD161J-222	CARBON RESISTOR	2.2K 5% 1/6W	

BLOCK NO. 021111

Sub P.C. board

REF.	PARTS NO.	PARTS NAME	REMARKS	SUFFIX
CJ907	VMC0259-002	CONNECTOR		
CP904	VMC0198-003	CONNECTOR		
CP905	VMC0232-012	CONNECTOR		
CP907	VMC0278-002	CONNECTOR		
D 751	HZS5.6EB3	ZENER DIODE		
D 752	HZS5.6EB3	ZENER DIODE		
D 753	HZS5.6EB3	ZENER DIODE		
D 771	SLR-34VC3F	LED		
D 772	SLR-34VC3F	LED		
PL701	VGZ0001-056	LAMP		
PL702	VGZ0001-056	LAMP		
PL771	VGZ0001-055	LAMP		
PL773	VGZ0001-055	LAMP		
R 754	QRD161J-102	CARBON RESISTOR	1.0K 5% 1/6W	
R 755	QRD161J-102	CARBON RESISTOR	1.0K 5% 1/6W	
R 756	QRD161J-102	CARBON RESISTOR	1.0K 5% 1/6W	
R 757	QRD167J-562	CARBON RESISTOR	5.6K 5% 1/6W	
R 758	QRD167J-562	CARBON RESISTOR	5.6K 5% 1/6W	
R 759	QRD167J-562	CARBON RESISTOR	5.6K 5% 1/6W	
R 760	QRD167J-562	CARBON RESISTOR	5.6K 5% 1/6W	
R 781	QRD161J-122	CARBON RESISTOR	1.2K 5% 1/6W	
R 782	QRD161J-681	CARBON RESISTOR	680 5% 1/6W	
S 771	QSQ1B11-V01Z	TACT SWITCH		
S 772	QSQ1B11-V01Z	TACT SWITCH		
S 773	QSQ1B11-V01Z	TACT SWITCH		
S 774	QSQ1B11-V01Z	TACT SWITCH		
S 775	QSQ1B11-V01Z	TACT SWITCH		
S 776	QSQ1B11-V01Z	TACT SWITCH		
S 777	QSQ1B11-V01Z	TACT SWITCH		
S 778	QSQ1B11-V01Z	TACT SWITCH		
S 779	QSQ1B11-V01Z	TACT SWITCH		
S 780	QSQ1B11-V01Z	TACT SWITCH		

13. Illustration of Packing and Parts List



■ Packing parts list

BLOCK NO. M3MM

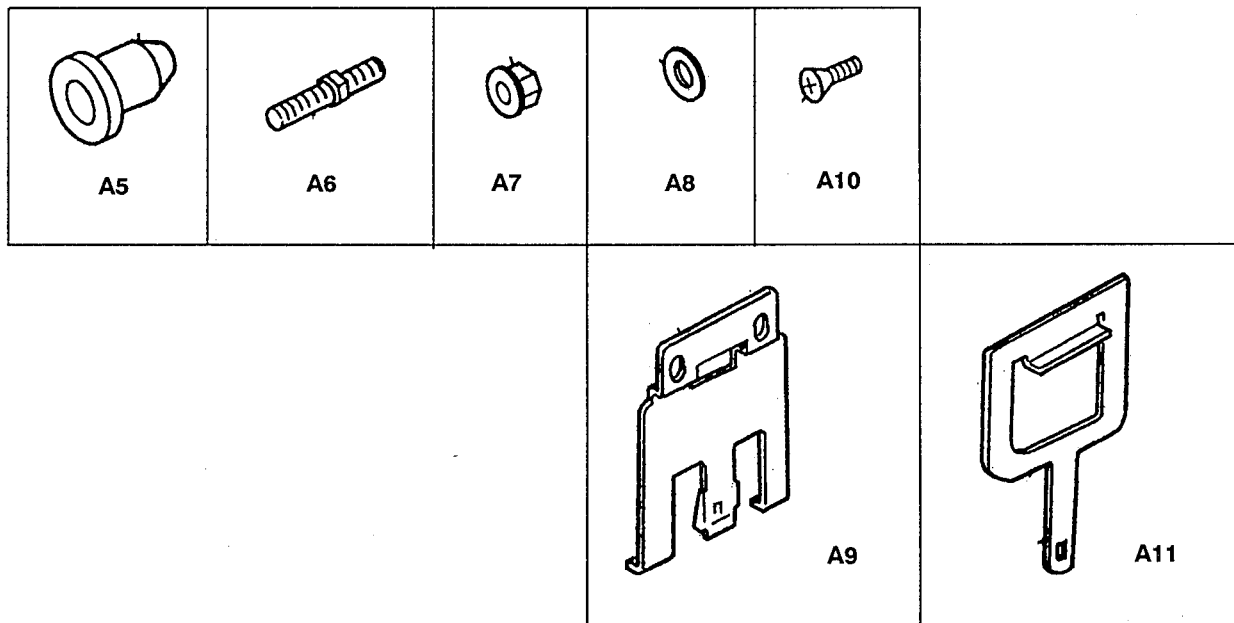
△	REF.	PARTS NO.	PARTS NAME	REMARKS	QTY	SUFFIX	CLR
P	1	VPC3495-S001	CARTON	PRINTED IN SING	1		
P	2	VPH1647-002	CUSHION(L)		1		
P	3	VPH1648-002	CUSHION(R)		1		
P	4	VPE3005-066	POLY BAG	SET	1		
P	5	QPGA017-02505	POLY BAG	INST.BOOK	1		
P	6	QPGA008-01205	POLY BAG		1		
P	8	QPGA010-03003	POLY.BAG	HEAD CASE	1		
P	9	VND3046-006	SERIAL TICKET		1	C	
		VND3046-002	SERIAL TICKET		1	J	
P	10	QPGA010-03003	POLY.BAG	TRIM PLATE	1		

14. Accessories

BLOCK NO. M4MM

△	REF.	PARTS NO.	PARTS NAME	REMARKS	QTY	SUFFIX	CLR
A	1	VNN3495-631S	INSTRUCTIONS		1	C,J	
A	2	VNC2400-090	CAUTION SHEET		1		
A	3	BT-20059D	WARRANTY CARD		1	J	
		BT-20025L	WARRANTY CARD		1	C	
A	4	BT-20071B	SVC CENTER LIST		1	C	
		BT-20137	SERVICE NETWORK		1	J	
A	5	VKZ4027-002	PLUG NUT		1		
A	6	VKH4871-001	MOUNT BOLT		1		
A	7	VKZ4328-001	LOCK NUT	M5	1		
A	8	WNS5000Z	WASHER		1		
A	9	VKY3124-001	SIDE SPRING		2		
A	10	SSSP4006Z	SCREW	SIDE SPRING	4		
A	11	VKL7233-001	HOOK		2		
A	12	SPSJ1725M	MINI SCREW		1		
A	13	VND4619-001	SHEET		1		
A	14	VJB2014-001	HARD CASE		1		
A	15	VYSH118-002	SPACER		1		
A	16	VKL3732-018SS	MOUNTING SLEEVE		1		
A	17	VMC0014-144	11P CORD ASS'Y		1		
A	18	FSJD2004-002	TRIM PLATE		1		
A	19	FSYH3008-002	SPACER	HARD CASE; INNER	2		
KIT	1	KSRTBORK-SCREW1	SCREW PARTS KIT	A5-A11, P6	1		

■ Breakdown of screw kit (KIT 1)





VICTOR COMPANY OF JAPAN, LIMITED
AUDIO PRODUCTS DIVISION 10-1, 1-chome, Ohwatari-machi, Maebashi-city, Japan